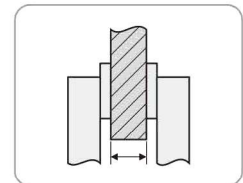


**板厚数显卡尺**

Digital Thickness Caliper



分辨率:0.01mm  
Resolution:0.01mm



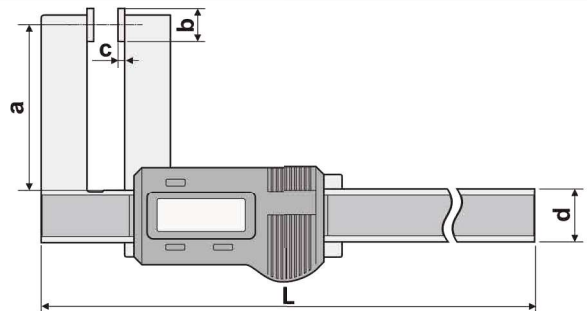
**主要特点:**

- 可用于各种侧放板材厚度测量，使用方便
- 任意位置清零，便于相对测量与绝对测量转换
- 任意位置公制与英制转换

**FEATURES**

- Used for measuring the thickness of various of board materials
- Zero-setting at any position, convenient for relative and absolute measure conversion
- Mm/inch conversion at any position

货号 Code NO.	测量范围 Measuring Range mm	精度 Accuracy mm	L mm	a mm	b mm	c mm	d mm
112-181	0-50	± 0.04	140	50	Ø10	2	13
112-181-1	0-50	± 0.04	140	80	Ø10	2	13
112-181-2	0-50	± 0.04	140	100	Ø10	2	13
112-181-3	0-50	± 0.04	180	150	Ø10	2	24
112-181-4	0-50	± 0.04	180	200	Ø10	2	24
112-182	0-80	± 0.04	170	50	Ø10	2	13
112-182-1	0-80	± 0.04	170	80	Ø10	2	13
112-182-2	0-80	± 0.04	170	100	Ø10	2	13
112-182-3	0-80	± 0.04	210	150	Ø10	2	24
112-182-4	0-80	± 0.04	210	200	Ø10	2	24



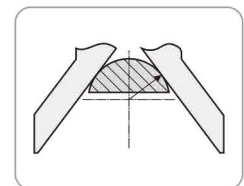
**F**

**外圆弧半径数显卡尺**

Digital Caliper for Outer Arc Radius Measurement



分辨率:0.01mm  
Resolution:0.01mm

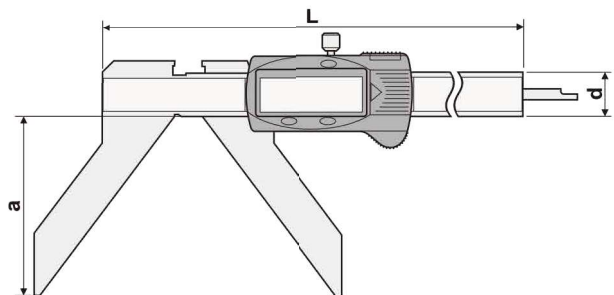


**主要特点:**

- 可用于非整圆(<1/2圆)半径测量，使用方便
- 任意位置清零，便于相对测量与绝对测量转换
- 任意位置公制与英制转换

**FEATURES**

- Used for measuring arc radius less than 180°
- Zero-setting at any position, convenient for relative and absolute measure conversion
- Mm/inch conversion at any position



货号 Code NO.	测量范围 Measuring Range mm	精度 Accuracy mm	L mm	a mm	d mm
118-131	5-150	± 0.06	263	65	16
118-132	5-200	± 0.10	315	85	16