

数显键槽深度尺

Digital Depth Gauge for Keyway



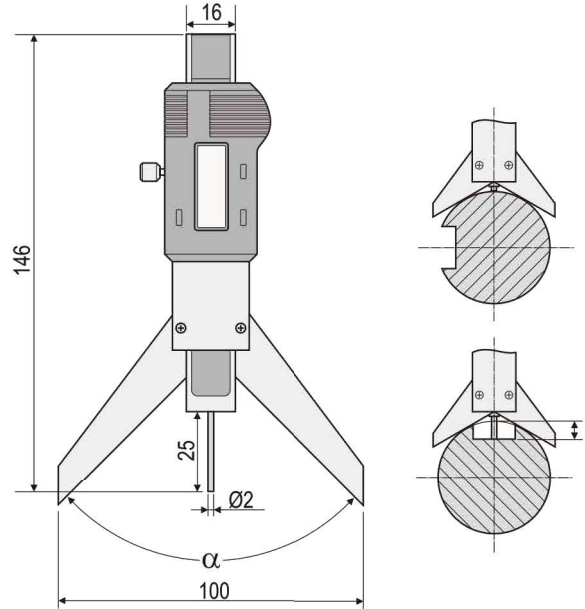
分辨率:0.01mm
Resolution:0.01mm

主要特点:

- 专用于测量各种轴上键槽深度，方便快捷
- 外形小巧，便于携带
- 任意位置清零，便于相对测量与绝对测量转换
- 任意位置公制与英制转换

FEATURES

- Special for keyway depth measurements
- Easy to carry
- Zero-setting at any position, convenient for relative and absolute measure conversion
- Mm/inch conversion at any position



货号 Code NO.	测量范围 Measuring Range mm	精度 Accuracy mm	轴径 Diameter of Axle mm	α
126-104	0-50	± 0.03	Ø5-Ø140	90°
126-105	0-50	± 0.03	Ø5-Ø200	120°

深小孔数显深度尺

Digital Depth Gauge with Slender Rod



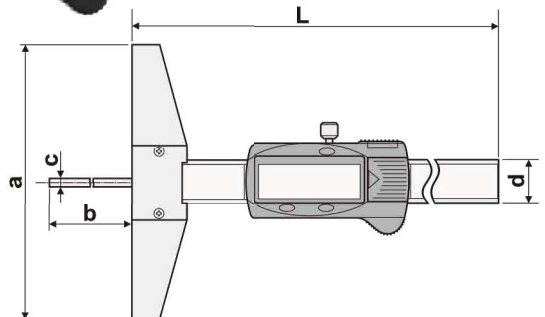
分辨率:0.01mm
Resolution:0.01mm

主要特点:

- 带电源开关
- 任意位置清零
- 测量单位转换
- 带数据输出
- 可用于细长小孔的深度精密测量
- 测杆直径达到Ø3mm，刚性好

FEATURES

- Power on/off
- Zero-setting at any position
- Units conversion
- Data output
- Depth measurement of slender bores
- Measuring head: Ø3mm



货号 Code NO.	测量范围 Measuring Range mm	精度 Accuracy mm	L mm	a mm	b mm	c mm	d mm
121-700	0-100	± 0.04	195	100	105	Ø3	16
121-700-1	0-100	± 0.04	195	150	105	Ø3	16
121-701	0-150	± 0.04	245	100	155	Ø3	16
121-701-1	0-150	± 0.04	245	150	155	Ø3	16
121-702	0-200	± 0.05	295	100	205	Ø3	16
121-702-1	0-200	± 0.05	295	150	205	Ø3	16