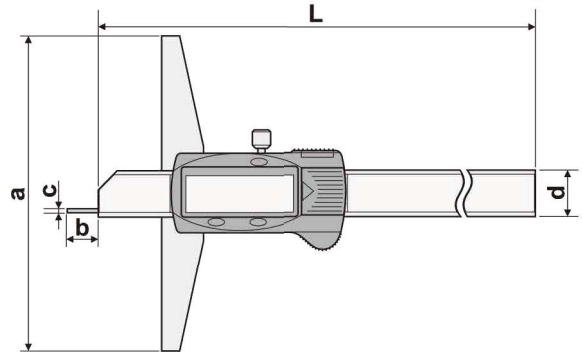


针测头数显深度尺

Needle Digital Depth Gauge



自动断电
Auto power-off
分辨率:0.01mm
Resolution:0.01mm



主要特点:

- 用于精确测量小孔底部深度和台阶高度
- 任意位置清零，便于相对测量与绝对测量转换
- 任意位置公制与英制转换

FEATURES

- Used for measuring depth of small hole and step
- Zero-setting at any position, convenient for relative and absolute measure conversion
- Mm/inch conversion at any position

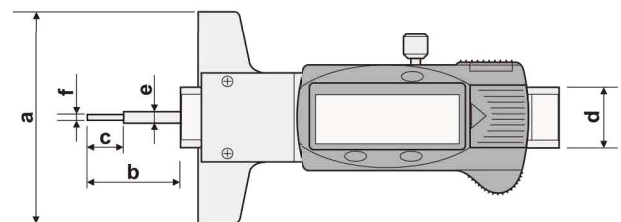
货号 Code NO.	测量范围 Measuring Range mm	精度 Accuracy mm	L mm	a mm	b mm	c mm	d mm
127-101	0-150	± 0.03	230	100	6	Ø1.5	14.5
127-102	0-200	± 0.03	280	100	6	Ø1.5	14.5
127-103	0-300	± 0.04	380	100	6	Ø1.5	14.5

轮胎花纹数显深度尺

Thread Digital Depth Gauge



自动断电
Auto power-off
分辨率:0.01mm
Resolution:0.01mm



主要特点:

- 专用于测量各种车轮外胎防滑花纹深度，以便及时了解轮胎磨损情况
- 外形小巧，便于司机随身携带
- 任意位置清零，便于相对测量与绝对测量转换
- 任意位置公制与英制转换

FEATURES

- Used for measuring the tire thread depth
- Easy to carry
- Zero-setting at any position, convenient for relative and absolute measure conversion
- Mm/inch conversion at any position

货号 Code NO.	测量范围 Measuring Range mm	精度 Accuracy mm	a mm	b mm	c mm	d mm	e mm	f mm
125-101	0-25	± 0.02	60	26	10	16	Ø3	Ø1.5