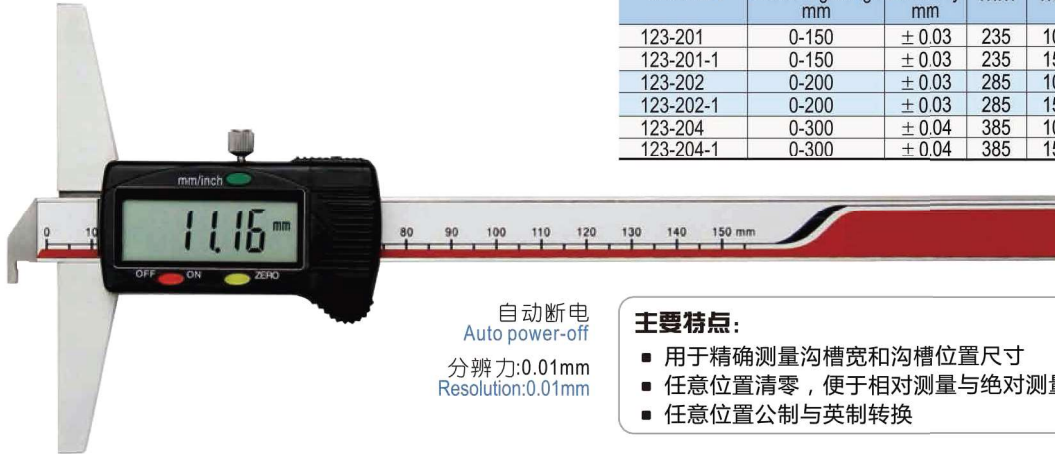


**单钩头数显深度尺**

Digital Depth Gauge with Single Hook



货号 Code NO.	测量范围 Measuring Range mm	精度 Accuracy mm	L mm	a mm	b mm	c mm	d mm
123-201	0-150	± 0.03	235	100	5	2	14.5
123-201-1	0-150	± 0.03	235	150	5	2	14.5
123-202	0-200	± 0.03	285	100	5	2	14.5
123-202-1	0-200	± 0.03	285	150	5	2	14.5
123-204	0-300	± 0.04	385	100	5	2	14.5
123-204-1	0-300	± 0.04	385	150	5	2	14.5



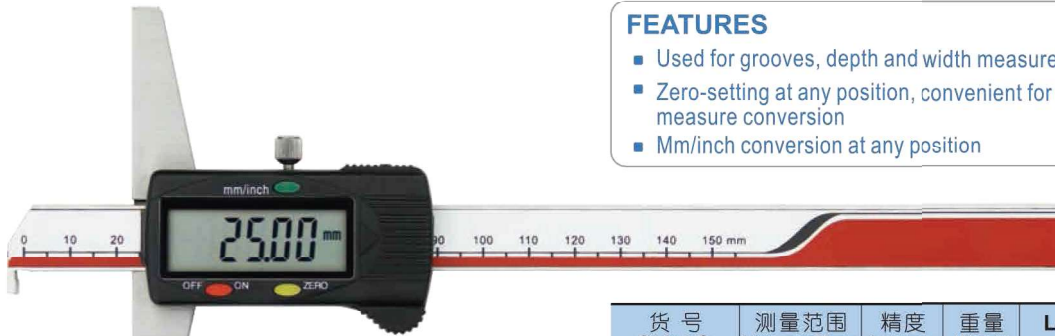
自动断电  
Auto power-off  
分辨率:0.01mm  
Resolution:0.01mm

**主要特点:**

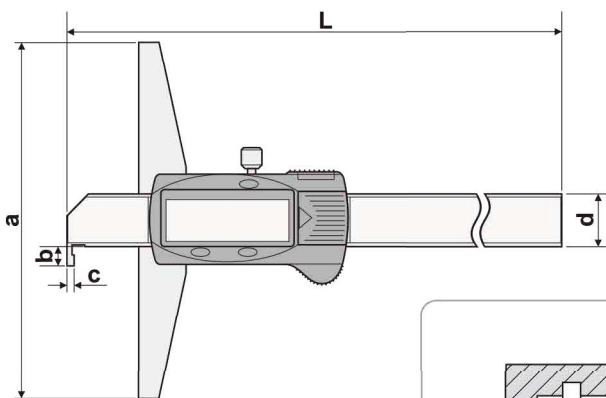
- 用于精确测量沟槽宽和沟槽位置尺寸
- 任意位置清零, 便于相对测量与绝对测量转换
- 任意位置公制与英制转换

**FEATURES**

- Used for grooves, depth and width measurements
- Zero-setting at any position, convenient for relative and absolute measure conversion
- Mm/inch conversion at any position



货号 Code NO.	测量范围 Measuring Range mm	精度 Accuracy mm	重量 Weight kg	L mm	a mm	b mm	c mm	d mm
123-101*1*3	0-150	± 0.03	—	230	100	3	1	14.5
123-101-1*1	0-150	± 0.03	—	230	150	3	1	14.5
123-102*1	0-200	± 0.03	—	280	100	3	1	14.5
123-102-1*1	0-200	± 0.03	—	280	150	3	1	14.5
123-104*1	0-300	± 0.04	—	380	100	3	1	14.5
123-104-1*1	0-300	± 0.04	—	380	150	3	1	14.5
123-105	0-500	± 0.05	0.4	585	120	8	3	15
123-105-1	0-500	± 0.05	0.4	585	150	8	3	15
123-105-2	0-500	± 0.05	0.5	585	200	8	3	15
123-106	0-600	± 0.05	0.5	685	120	8	3	15
123-106-1	0-600	± 0.05	0.5	685	150	8	3	15
123-106-2	0-600	± 0.05	0.6	685	200	8	3	15
123-107	0-800	± 0.06	1.5	988	150	10	4	18
123-107-1	0-800	± 0.06	1.6	988	200	10	4	18
123-107-2	0-800	± 0.06	1.7	988	250	10	4	18
123-108	0-1000	± 0.07	1.7	1188	150	10	4	18
123-108-1	0-1000	± 0.07	1.8	1188	200	10	4	18
123-108-2	0-1000	± 0.07	1.9	1188	250	10	4	18



测量示意图

