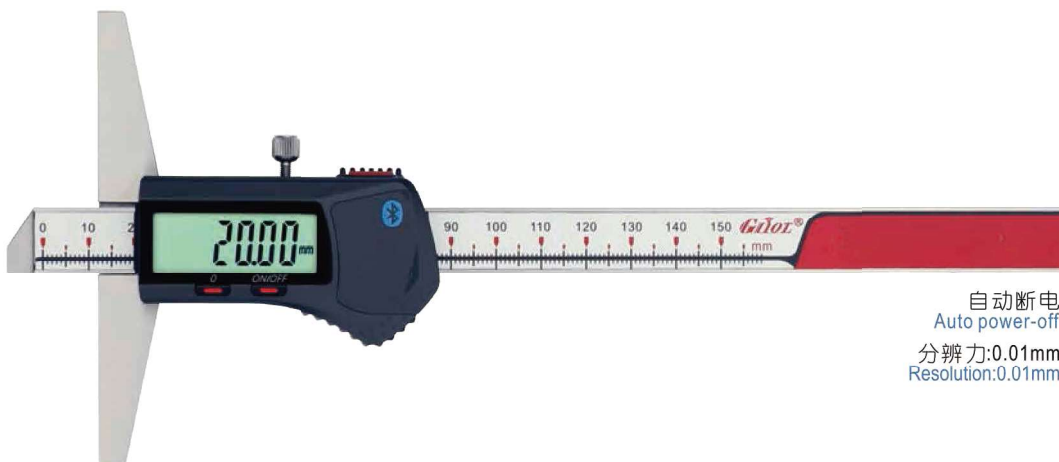


**蓝牙数显深度尺**

Bluetooth Digital Depth Gauge



**NEW**



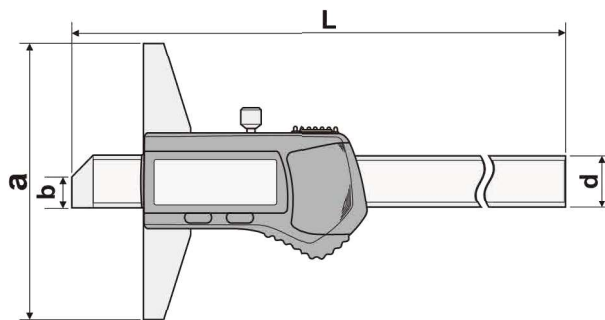
自动断电  
Auto power-off  
分辨率:0.01mm  
Resolution:0.01mm

**主要特点:**

- 用于精确测量孔深和台阶高度
- 内置蓝牙, 可把测量数据传输到手机、平板和电脑
- 两种工作模式: 简易连接软件模式和HID配对键盘模式
- 具备OTA无线升级功能, 功能定制升级, 无需返厂
- 开阔地传输距离≤10米 工业环境传输距离≤7米

**FEATURES**

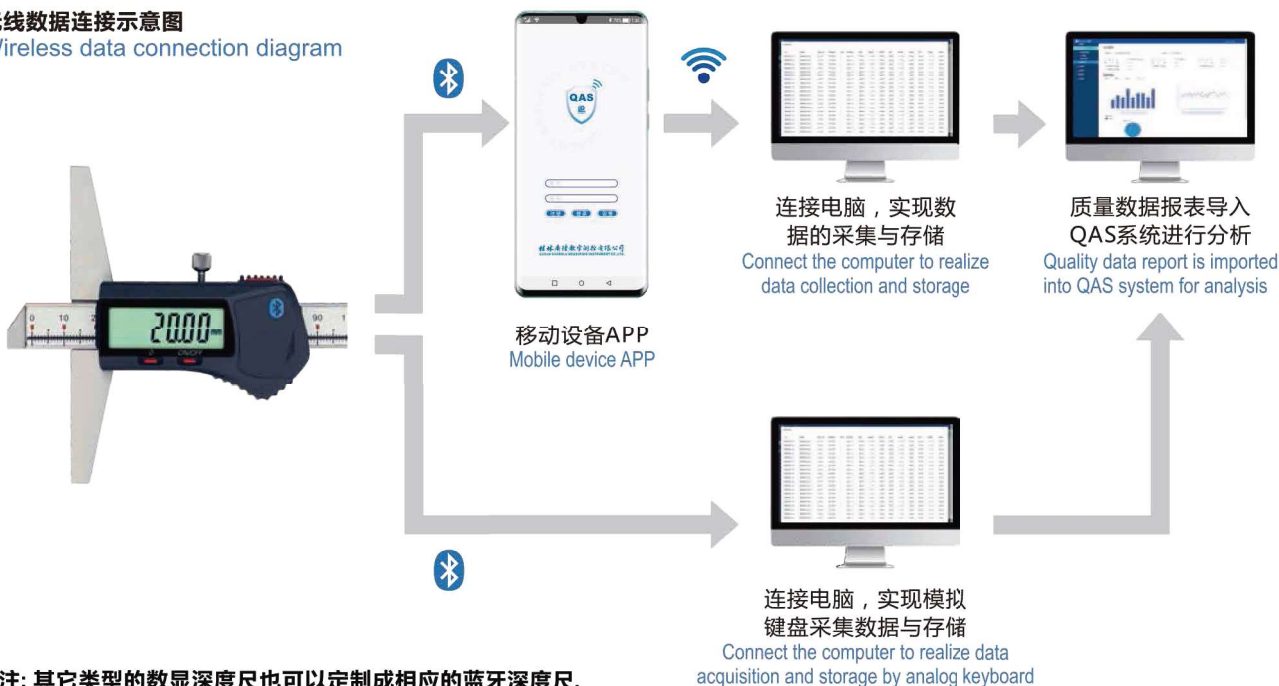
- Used for depth and step measurements
- Built-in Bluetooth, measurement data can be transmitted to mobile phones, tablets and computers
- Two working modes: simple connection software mode and HID paired keyboard mode
- With OTA wireless upgrade function, function customization and upgrade, no need to return to the factory
- Transmission distance ≤ 10 m(open land); ≤ 7 m(industrial environment)



货号 Code NO.	测量范围 Measuring Range mm	精度 Accuracy mm	L mm	a mm	b mm	d mm
121-201BT	0-150	± 0.03	235	100	6	14.5
121-202BT	0-200	± 0.03	285	100	6	14.5
121-204BT	0-300	± 0.04	385	100	6	14.5

**无线数据连接示意图**

Wireless data connection diagram



注: 其它类型的数显深度尺也可以定制成相应的蓝牙深度尺.

**D**