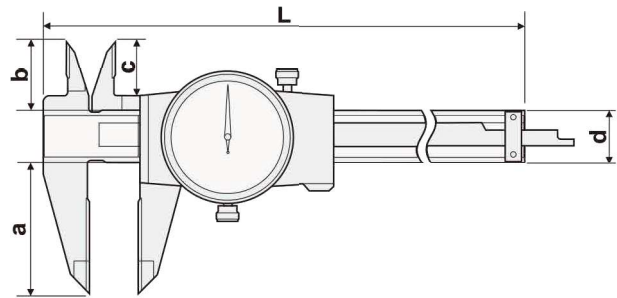
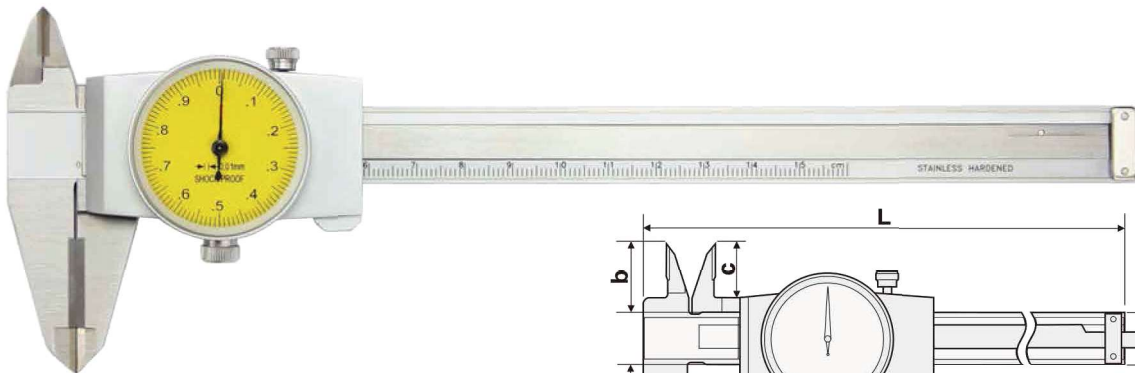


合金带表卡尺

Dial Caliper with Carbide-tipped Jaws


主要特点:

- 量爪镶耐磨硬质合金, 使用寿命长
- 读数清晰、直观、精确
- 用于测量外径、内径、孔深和台阶尺寸

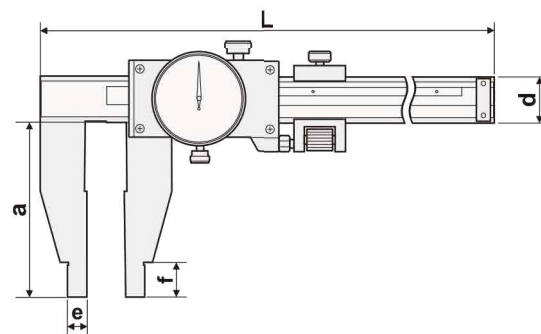
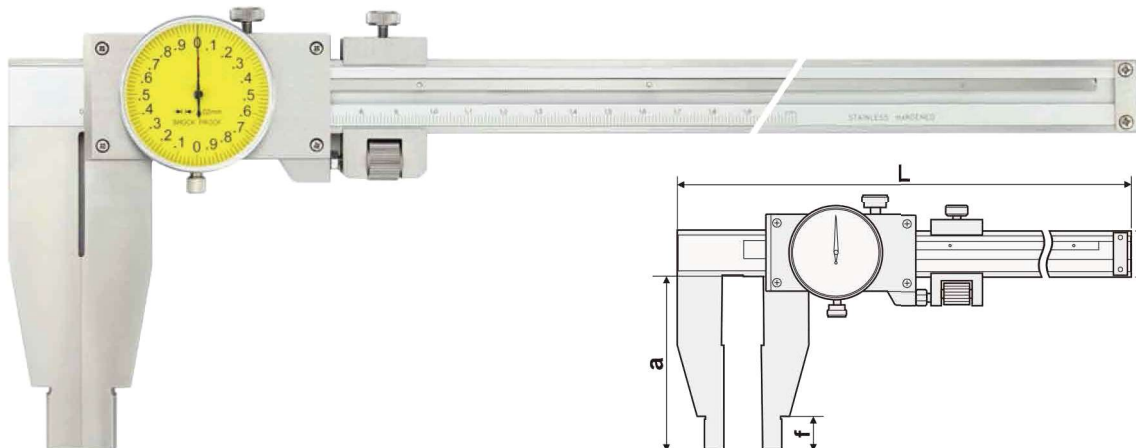
FEATURES

- With durable carbide tips
- Clear, direct and accurate reading
- Used for OD, ID, depth and step measurements

货号 Code NO.	测量范围 Measuring Range mm	分度值 Graduation mm/inch	精度 Accuracy mm	示值/周 Range/rev.	L mm	a mm	b mm	c mm	d mm
171-222A	0-150	0.01	±0.03	1	236	40	21	16.5	16
171-224A	0-200	0.01	±0.03	1	286	50	24	19.5	16
171-226A	0-300	0.01	±0.04	1	400	60	25	18.5	17
171-232A	0-150	0.02	±0.03	2	236	40	21	16.5	16
171-234A	0-200	0.02	±0.03	2	286	50	24	19.5	16
171-236A	0-300	0.02	±0.04	2	400	60	25	18.5	17

单向爪带表卡尺

Dial Caliper with Basic Jaws


主要特点:

- 读数清晰、直观、精确
- 圆弧形内测量面更适合测量精密内孔或槽的尺寸

FEATURES

- Clear, direct and accurate reading
- Nib style jaws for accurate inner hole and inside groove measurement

货号 Code NO.	测量范围 Measuring Range mm	分度值 Graduation mm/inch	精度 Accuracy mm	示值/周 Range/rev.	重量 Weight kg	L mm	a mm	d mm	e mm	f mm
171-148	0-500	0.02	±0.05	2	0.9	650	90	21	10	18
171-148A	10-500	0.02	±0.05	2	0.9	650	90	21	5	18
171-148-1	0-600	0.02	±0.05	2	1.0	750	90	21	10	18
171-148A-1	10-600	0.02	±0.05	2	1.0	750	90	21	5	18
171-154	0-1000	0.02	±0.07	2	2.3	1190	150	28	10	24
171-158	0-1500	0.02	±0.11	2	4.2	1690	150	28	10	24