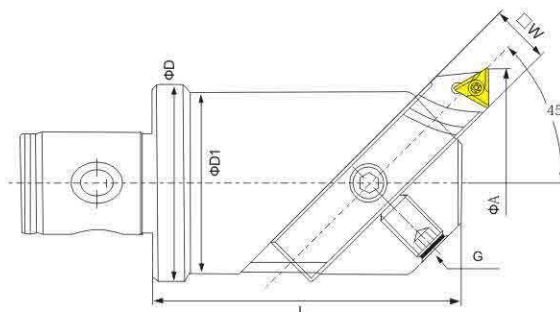


BSA 45° 鏜頭

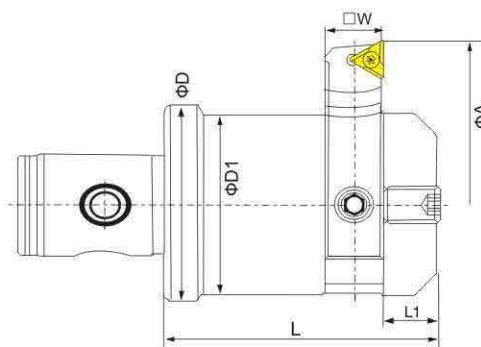
BSA 45° Boring head



型号 Model	鏜孔范围 Boring range		尺寸 Size(mm)					单价 RMB
	ΦA min	ΦA max	ΦD	ΦD1	L	□W	G	
BSA25-LBK2	Φ25	Φ38	24	24	35	8	M6x1.00P	160
BSA30-LBK2	Φ30	Φ42	24	24	40	8	M6x1.00P	160
BSA38-LBK3	Φ38	Φ52	31	60	60	10	M8x1.25P	170
BSA50-LBK4	Φ50	Φ65	42	40	70	13	M10x1.50P	200
BSA62-LBK5	Φ65	Φ90	55	50	85	16	M12x1.75P	252
BSA72-LBK6	Φ72	Φ110	63	60	98	19	M12x1.75P	360
BSA90-LBK6	Φ90	Φ125	80	75	100	19	M12x1.75P	580
BSA105-LBK6	Φ105	Φ160	94	90	100	25	M12x1.75P	800

BSB 90° 鏜頭

BSB 90° Boring head



型号 Model	鏜孔范围 Boring range		尺寸 Size(mm)					单价 RMB	
	ΦA min	ΦA max	ΦD	ΦD1	L	L1	□W		G
BSB25-LBK2	Φ26	Φ38	24	20	45	10	8	M6x1.00P	160
<i>New!</i> BSB30-LBK2	Φ30	Φ42	25	24	45	10	8	M6x1.00P	160
BSB38-LBK3	Φ38	Φ70	31	30	55	10	10	M8x1.25P	170
BSB50-LBK4	Φ50	Φ90	42	40	60	10	13	M10x1.50P	200
BSB62-LBK5	Φ62	Φ115	55	50	70	12	16	M12x1.75P	252
BSB72-LBK6	Φ72	Φ135	63	60	85	12	19	M12x1.75P	360
BSB90-LBK6	Φ90	Φ150	80	75	100	15	19	M12x1.75P	580
BSB105-LBK6	Φ105	Φ190	90	90	100	15	25	M12x1.75P	800