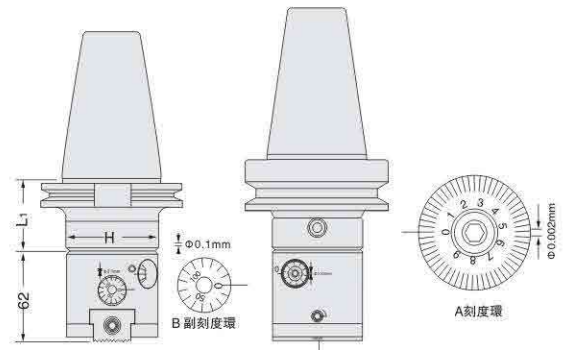


■ HBOR63-BM140
Micro Boring Holder



Features

BM140micro boring holder matches with HBOR63 boring head.

The boring range of BM140 boring system is from 150~280mm.

BM140精搪刀杆運用于HBOR63刀杆

BM140精搪範圍為150~280mm

型號 Model	Boring Range (D Min.-D Max.)	WM	Weight (kg)	单价 RMB
BM140	+BMB	20	0.60	400
SRTR2938	150~200	10	0.03	180
SRTP3852	160~210	12	0.05	180
SRTP4468	170~220	12	0.05	200
SRTP70110	140~240	19	0.15	280
SRTP110150	180~280	19	0.30	340

