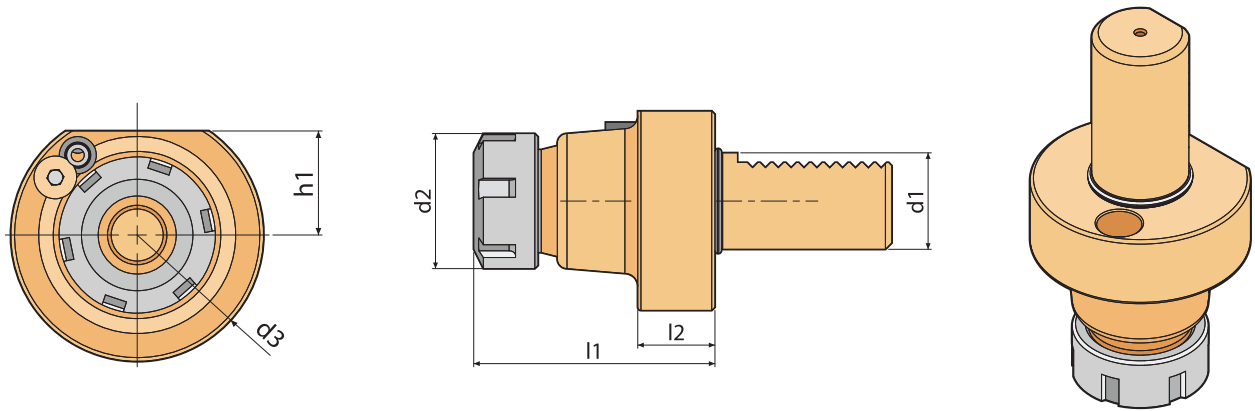


■ 固定刀座 DIN69880
 STATIC TOOL HOLDER DIN69880

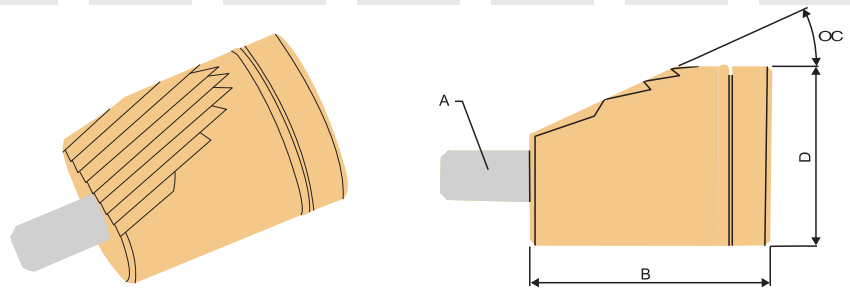
E4



DIMENSIONS

Order NO.	collet	b1	b2	b3	l1	l2	h1	N.W.Kg
E4-30×ER25	ER25	30	42	68	75	22	28	1.07
E4-30×ER32	ER32	30	50	68	75	22	28	1.22
E4-40×ER25	ER25	40	42	83	75	22	32.5	1.65
E4-40×ER32	ER32	40	50	83	75	22	32.5	1.79
E4-40×ER40	ER40	40	63	83	75	22	32.5	1.78
E4-50×ER32	ER32	50	50	94	75	30	35	2.70
E4-50×ER40	ER40	50	63	94	63	30	35	2.90

VDI WEDGE 压紧块



DIMENSIONS

Order NO.	A	B	∞	D
VDI30-22	M8	34	20°	22
VDI40-28	M10	42	20°	28
VDI40-40	M10	44	20°	40
VDI50-36	M10	48	25°	36
VDI50-50	M12	56	25°	50