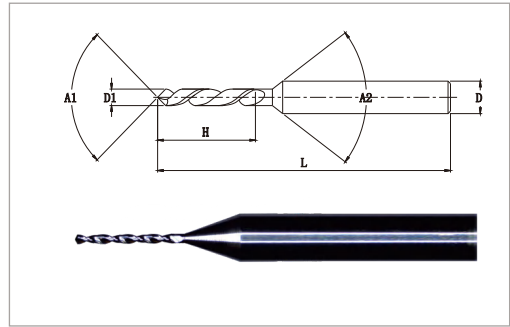


DC826

硬质合金铝用钻头

CEMENTED CARBIDE ALUMINUM DRILL



直径范围: $\Phi 0.04$ - $\Phi 3.0$ mm

直径公差: 0-0.003mm

- ◆ 采用超微细颗粒硬质合金圆棒
Ultra fine cemented carbide round bar was used.
- ◆ 超精公差管控, 优秀的切削力与排屑性
Ultra precision tolerance control, excellent cutting force and chip removal.
- ◆ 特别适用于工程塑胶、一般钢等软体材料精密的孔加工
Especially suitable for engineering plastics, general steel and other soft materials precision hole processing.

可切削材料 (● 最适合 ● 适合)

碳素钢 S45C S55C	合金钢 SK-SCM SUS	预硬钢 NAK HPM	淬火钢 ~55HRC ~60HRC ~70HRC	高温合金	铜合金	铝合金	树脂	工程塑料
●	●	●		●	●	●	●	●
铸铁	钛合金	玻璃纤维	电木	石墨	氧化锆	单晶硅	陶瓷	碳纤维
●	●	●	●					

單位: (mm)

商品号 EDP NO.	直径 D1	刃长 H	柄径 D	全长 L
826-1000	1.00	8.0	4.0	50
826-1100	1.10	8.0	4.0	50
826-1200	1.20	8.0	4.0	50
826-1300	1.30	8.0	4.0	50
826-1400	1.40	8.0	4.0	50
826-1500	1.50	8.0	4.0	50
826-1600	1.60	11.0	4.0	50
826-1700	1.70	11.0	4.0	50
826-1800	1.80	11.0	4.0	50
826-1900	1.90	11.0	4.0	50
826-2000	2.00	11.0	4.0	50
826-2100	2.10	13.0	4.0	50
826-2200	2.20	13.0	4.0	50
826-2300	2.30	13.0	4.0	50
826-2400	2.40	13.0	4.0	50
826-2500	2.50	13.0	4.0	50
826-2600	2.60	16.0	4.0	50
826-2700	2.70	16.0	4.0	50
826-2800	2.80	16.0	4.0	50
826-2900	2.90	16.0	4.0	50
826-3000	3.00	16.0	4.0	50
826-3100	3.10	18.0	4.0	50
826-3200	3.20	18.0	4.0	50
826-3300	3.30	18.0	4.0	50
826-3400	3.40	18.0	4.0	50
826-3500	3.50	18.0	4.0	50
826-3600	3.60	20.0	4.0	50
826-3700	3.70	20.0	4.0	50
826-3800	3.80	20.0	4.0	50
826-3900	3.90	20.0	4.0	50
826-4000	4.00	20.0	4.0	50
826-4100	4.10	20.0	6.0	50
826-4200	4.20	20.0	6.0	50
826-4300	4.30	20.0	6.0	50
826-4400	4.40	20.0	6.0	50
826-4500	4.50	20.0	6.0	50
826-4600	4.60	24.0	6.0	60
826-4700	4.70	24.0	6.0	60
826-4800	4.80	24.0	6.0	60
826-4900	4.90	24.0	6.0	60
826-5000	5.00	24.0	6.0	60
826-5100	5.10	26.0	6.0	60
826-5200	5.20	26.0	6.0	60
826-5300	5.30	26.0	6.0	60
826-5400	5.40	26.0	6.0	60
826-5500	5.50	26.0	6.0	60
826-5600	5.60	26.0	6.0	60
826-5700	5.70	26.0	6.0	60
826-5800	5.80	26.0	6.0	60
826-5900	5.90	26.0	6.0	60
826-6000	6.00	26.0	6.0	60
826-6100	6.10	28.0	8.0	60
826-6200	6.20	28.0	8.0	60
826-6300	6.30	28.0	8.0	60
826-6400	6.40	28.0	8.0	60
826-6500	6.50	28.0	8.0	60
826-6600	6.60	28.0	8.0	60
826-6700	6.70	28.0	8.0	60
826-6800	6.80	28.0	8.0	60
826-6900	6.90	28.0	8.0	60

單位: (mm)

商品号 EDP NO.	直径 D1	刃长 H	柄径 D	全长 L
826-7000	7.00	28.0	8.0	60
826-7100	7.10	30.0	8.0	60
826-7200	7.20	30.0	8.0	60
826-7300	7.30	30.0	8.0	60
826-7400	7.40	30.0	8.0	60
826-7500	7.50	30.0	8.0	60
826-7600	7.60	30.0	8.0	60
826-7700	7.70	30.0	8.0	60
826-7800	7.80	30.0	8.0	60
826-7900	7.90	30.0	8.0	60
826-8000	8.00	30.0	8.0	60
826-8100	8.10	34.0	10.0	75
826-8200	8.20	34.0	10.0	75
826-8300	8.30	34.0	10.0	75
826-8400	8.40	34.0	10.0	75
826-8500	8.50	34.0	10.0	75
826-8600	8.60	36.0	10.0	75
826-8700	8.70	36.0	10.0	75
826-8800	8.80	36.0	10.0	75
826-8900	8.90	36.0	10.0	75
826-9000	9.00	36.0	10.0	75
826-9100	9.10	38.0	10.0	75
826-9200	9.20	38.0	10.0	75
826-9300	9.30	38.0	10.0	75
826-9400	9.40	38.0	10.0	75
826-9500	9.50	38.0	10.0	75
826-9600	9.60	40.0	10.0	75
826-9700	9.70	40.0	10.0	75
826-9800	9.80	40.0	10.0	75
826-9900	9.90	40.0	10.0	75
826-10000	10.00	40.0	10.0	75
826-10100	10.10	42.0	12.0	75
826-10200	10.20	42.0	12.0	75
826-10300	10.30	42.0	12.0	75
826-10400	10.40	42.0	12.0	75
826-10500	10.50	42.0	12.0	75
826-10600	10.60	42.0	12.0	75
826-10700	10.70	42.0	12.0	75
826-10800	10.80	42.0	12.0	75
826-10900	10.90	42.0	12.0	75
826-11000	11.00	42.0	12.0	75
826-11100	11.10	45.0	12.0	75
826-11200	11.20	45.0	12.0	75
826-11300	11.30	45.0	12.0	75
826-11400	11.40	45.0	12.0	75
826-11500	11.50	45.0	12.0	75
826-11600	11.60	45.0	12.0	75
826-11700	11.70	45.0	12.0	75
826-11800	11.80	45.0	12.0	75
826-11900	11.90	45.0	12.0	75
826-12000	12.00	45.0	12.0	75
826-12500	12.50	52.0	14.0	100
826-13000	13.00	52.0	14.0	100
826-13500	13.50	52.0	14.0	100
826-14000	14.00	52.0	14.0	100
826-14500	14.50	60.0	16.0	100
826-15000	15.00	60.0	16.0	100
826-15500	15.50	60.0	16.0	100
826-16000	16.00	60.0	16.0	100