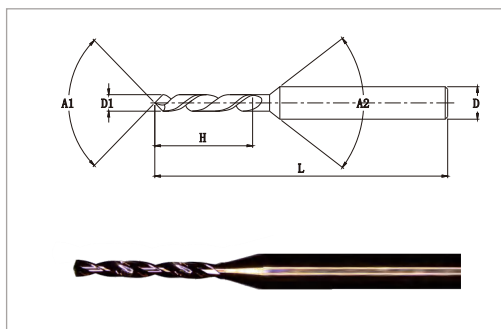


DC426L 加长刃

硬质合金涂层钻头

CARBIDE COATED DRILL



直径范围: $\Phi 0.04$ - $\Phi 3.0$ mm
 直径公差: 0-0.005mm
 $D1 \leq 1.0$ mm 钻尖角度为 118°
 $D1 > 1.0$ mm 钻尖角度为 135°

- ◆ 采用超微细颗粒, 超耐磨硬质合金
Ultra fine particles and super wear resistant cemented carbide are used.
- ◆ 新开发复合涂层, 增强钻头抗疲劳性及耐磨性
A new composite coating is developed to enhance the fatigue resistance and wear resistance of drill.
- ◆ 特别适用于不锈钢, 高温合金等材料的孔加工
Especially suitable for hole machining of stainless steel, superalloy and other materials.
- ◆ 长寿命, 高效率
Long life, high efficiency.

可切削材料 (● 最适合 ● 适合)

| 碳素钢 S45C S55C | 合金钢 SK·SCM SUS | 预硬钢 NAK HPM | 淬火钢 ~55HRC ~60HRC ~70HRC | 高温合金 | 铜合金 | 铝合金 | 树脂 | 工程塑料 | |
|--------------------------------------|--------------------------------------|--------------------------------------|--------------------------------------|--------------------------------------|--------------------------------------|--------------------------------------|--------------------------------------|--------------------------------------|-----|
| ● | ● | ● | ● | ● | ● | ● | ● | ● | |
| 铸铁 | 钛合金 | 玻璃纤维 | 电木 | 石墨 | 氧化铝 | 单晶硅 | 陶瓷 | 碳纤维 | 不锈钢 |
| ● | ● | ● | ● | | | | | ● | |

| 被加工材料 | 碳钢 | | 合金钢 | | 预硬化钢、工具钢、模具钢 30-38HRC | | 奥氏体不锈钢 | | 马氏体铁素体不锈钢 | | 铝合金 | | 铜合金 | |
|------------|---------------|----------|---------------|----------|--------------------------|----------|---------------|----------|---------------|----------|---------------|----------|---------------|----------|
| | 转速 RPM | 进给 M/MIN | 转速 RPM | 进给 M/MIN | 转速 RPM | 进给 M/MIN | 转速 RPM | 进给 M/MIN | 转速 RPM | 进给 M/MIN | 转速 RPM | 进给 M/MIN | 转速 RPM | 进给 M/MIN |
| Φ0.03-0.09 | 10,000→20,000 | 4-12 | 10,000→20,000 | 4-13 | 10,000→20,000 | 4-8 | 10,000→15,000 | 4-9 | 10,000→20,000 | 4-16 | 10,000→30,000 | 40-60 | 10,000→20,000 | 4-24 |
| Φ0.10-0.29 | 25,000-20,000 | 20-80 | 20,000-15,000 | 10-40 | 17,000-13,000 | 6-20 | 15,000-7,500 | 5-10 | 20,000-13,000 | 10-15 | 30,000-25,000 | 60-200 | 20,000-17,000 | 16-55 |
| Φ0.30-0.49 | 20,000-18,000 | 80-150 | 15,000 | 40-60 | 13,000-10,000 | 16-20 | 10,000-8,000 | 10-30 | 13,000-9,500 | 10-40 | 25,500-20,000 | 200-320 | 17,000-15,000 | 55-90 |
| Φ0.50-0.99 | 18,000-15,000 | 150-250 | 15,000-9,500 | 60-80 | 10,000-7,000 | 20-28 | 8,000-6,000 | 50 | 9,500-7,500 | 60 | 20,000-18,000 | 320-430 | 15,000-13,000 | 90-200 |
| Φ1.00-1.99 | 15,000-9,500 | 180-230 | 9,500-6,000 | 80-120 | 7,000-4,000 | 30-50 | 6,000-4,000 | 50-70 | 7,000-4,000 | 60 | 18,000-10,000 | 430-500 | 13,000-7,500 | 200-250 |
| Φ2.00-3.00 | 9,500-6,300 | 250 | 6,000-4,000 | 120-160 | 4,000-3,000 | 30-50 | 4,000-3,700 | 50-80 | 4,000-3,000 | 50-60 | 10,000-7,000 | 500-600 | 7,500-6,500 | 240-390 |

| 被加工材料 | 沉淀不锈钢 17-4PH | | 镍合金 Inconel/ Hasteloy | | 镍合金(可伐合金) | | 钛合金 Ti - 6Al - 4V | | 压铸铝 | |
|------------|--------------|---------|-----------------------|---------|-------------|---------|-------------------|---------|--------------|---------|
| | 转速RPM | 进给M/MIN | 转速RPM | 进给M/MIN | 转速RPM | 进给M/MIN | 转速RPM | 进给M/MIN | 转速RPM | 进给M/MIN |
| Φ0.10-0.29 | 7,100 | 1-3 | 4,300 | 1-2 | 9,500 | 1-3 | 7,400 | 1-3 | 3,200-7,700 | 13-130 |
| Φ0.30-0.49 | 6,400-6,000 | 3-6 | 3,900-3,600 | 2-3 | 8,500-7,900 | 5-10 | 6,600-6,200 | 3-6 | 7,400-9,700 | 110-320 |
| Φ0.50-0.79 | 5,700-5,100 | 8-16 | 4,900-4,400 | 6-11 | 7,600-6,800 | 13-30 | 5,900-5,300 | 7-13 | 9,500-19,100 | 300-900 |
| Φ0.80-1.49 | 5,100-4,800 | 20-30 | 3,100-2,900 | 9-13 | 6,800-6,400 | 40-50 | 5,300-5,000 | 14-20 | 9,500-19,100 | 300-900 |
| Φ1.50-2.09 | 3,200-2,400 | 25-30 | 2,000-1,500 | 16-18 | 4,300-3,200 | 50-70 | 3,400-2,500 | 25-30 | | |
| Φ2.10-3.00 | 2,000 | 30-35 | 1,200 | 15-20 | 2,700 | 60-80 | 2,000 | 25-35 | | |

备注:

- 1) 在Ø1.0mm (0.0394")以下钻孔时,需要定孔。定孔可防止初次钻孔时出现碎屑和刀具破损。
- 2) 跳动(带钻入式主轴)应小于0.003mm (0.00012")。
- 3) 如果您的机器无法达到推荐的转速,请使用更高的转速并适当调整进给速度。
- 4) 对于Ø0.5mm (0.0197")以下的钻头,将机器/主轴设置为最稳定的速度,而不是遵循表中所示的建议条件。
- 5) 用于Ø0.1mm以下的钻孔(0.0039"),建议以表中所示的最低转速开始。

| 钻头直径 | Q值(每次吃刀量) |
|-------------|--------------|
| Ø0.02-Ø0.49 | 10% 钻头直径 |
| Ø0.50-Ø1.00 | 20% 钻头直径 |
| 超过 Ø1.00 | *25-50% 钻头直径 |

單位: (mm)

| 商品号 EDP NO. | 直径 D1 | 刃长 H | 柄径 D | 全长 L |
|----------------|----------|---------|---------|---------|
| 426L-0040 | 0.040 | 0.6 | 3 | 38 |
| 426L-0045 | 0.045 | 0.7 | 3 | 38 |
| 426L-0050 | 0.050 | 0.9 | 3 | 38 |
| 426L-0055 | 0.055 | 0.9 | 3 | 38 |
| 426L-0060 | 0.060 | 0.9 | 3 | 38 |
| 426L-0065 | 0.065 | 0.9 | 3 | 38 |
| 426L-0070 | 0.070 | 1.2 | 3 | 38 |
| 426L-0075 | 0.075 | 1.2 | 3 | 38 |
| 426L-0080 | 0.080 | 1.2 | 3 | 38 |
| 426L-0085 | 0.085 | 1.2 | 3 | 38 |
| 426L-0090 | 0.090 | 1.2 | 3 | 38 |
| 426L-0095 | 0.095 | 1.2 | 3 | 38 |
| 426L-0100 | 0.10 | 2.0 | 3 | 38 |
| 426L-0110 | 0.11 | 2.0 | 3 | 38 |
| 426L-0120 | 0.12 | 2.0 | 3 | 38 |
| 426L-0130 | 0.13 | 3.0 | 3 | 38 |
| 426L-0140 | 0.14 | 3.0 | 3 | 38 |
| 426L-0150 | 0.15 | 3.0 | 3 | 38 |
| 426L-0160 | 0.16 | 4.0 | 3 | 38 |
| 426L-0170 | 0.17 | 4.0 | 3 | 38 |
| 426L-0180 | 0.18 | 4.0 | 3 | 38 |
| 426L-0190 | 0.19 | 4.0 | 3 | 38 |
| 426L-0200 | 0.20 | 4.0 | 3 | 38 |
| 426L-0210 | 0.21 | 5.0 | 3 | 38 |
| 426L-0220 | 0.22 | 5.0 | 3 | 38 |
| 426L-0230 | 0.23 | 5.0 | 3 | 38 |
| 426L-0240 | 0.24 | 5.0 | 3 | 38 |
| 426L-0250 | 0.25 | 5.0 | 3 | 38 |
| 426L-0260 | 0.26 | 6.0 | 3 | 38 |
| 426L-0270 | 0.27 | 6.0 | 3 | 38 |
| 426L-0280 | 0.28 | 6.0 | 3 | 38 |
| 426L-0290 | 0.29 | 6.0 | 3 | 38 |
| 426L-0300 | 0.30 | 6.0 | 3 | 38 |
| 426L-0310 | 0.31 | 6.0 | 3 | 38 |
| 426L-0320 | 0.32 | 6.0 | 3 | 38 |
| 426L-0330 | 0.33 | 6.0 | 3 | 38 |
| 426L-0340 | 0.34 | 6.0 | 3 | 38 |
| 426L-0350 | 0.35 | 6.0 | 3 | 38 |
| 426L-0360 | 0.36 | 6.0 | 3 | 38 |
| 426L-0370 | 0.37 | 6.0 | 3 | 38 |
| 426L-0380 | 0.38 | 6.0 | 3 | 38 |
| 426L-0390 | 0.39 | 6.0 | 3 | 38 |
| 426L-0400 | 0.40 | 6.0 | 3 | 38 |
| 426L-0410 | 0.41 | 7.0 | 3 | 38 |
| 426L-0420 | 0.42 | 7.0 | 3 | 38 |
| 426L-0430 | 0.43 | 7.0 | 3 | 38 |
| 426L-0440 | 0.44 | 7.0 | 3 | 38 |
| 426L-0450 | 0.45 | 7.0 | 3 | 38 |
| 426L-0460 | 0.46 | 7.0 | 3 | 38 |
| 426L-0470 | 0.47 | 7.0 | 3 | 38 |
| 426L-0480 | 0.48 | 7.0 | 3 | 38 |

單位: (mm)

| 商品号 EDP NO. | 直径 D1 | 刃长 H | 柄径 D | 全长 L |
|----------------|----------|---------|---------|---------|
| 426L-0490 | 0.49 | 7.0 | 3 | 38 |
| 426L-0500 | 0.50 | 7.0 | 3 | 38 |
| 426L-0510 | 0.51 | 9.0 | 3 | 38 |
| 426L-0520 | 0.52 | 9.0 | 3 | 38 |
| 426L-0530 | 0.53 | 9.0 | 3 | 38 |
| 426L-0540 | 0.54 | 9.0 | 3 | 38 |
| 426L-0550 | 0.55 | 9.0 | 3 | 38 |
| 426L-0560 | 0.56 | 9.0 | 3 | 38 |
| 426L-0570 | 0.57 | 9.0 | 3 | 38 |
| 426L-0580 | 0.58 | 9.0 | 3 | 38 |
| 426L-0590 | 0.59 | 9.0 | 3 | 38 |
| 426L-0600 | 0.60 | 9.0 | 3 | 38 |
| 426L-0610 | 0.61 | 9.0 | 3 | 38 |
| 426L-0620 | 0.62 | 9.0 | 3 | 38 |
| 426L-0630 | 0.63 | 9.0 | 3 | 38 |
| 426L-0640 | 0.64 | 9.0 | 3 | 38 |
| 426L-0650 | 0.65 | 9.0 | 3 | 38 |
| 426L-0660 | 0.66 | 9.0 | 3 | 38 |
| 426L-0670 | 0.67 | 9.0 | 3 | 38 |
| 426L-0680 | 0.68 | 9.0 | 3 | 38 |
| 426L-0690 | 0.69 | 9.0 | 3 | 38 |
| 426L-0700 | 0.70 | 9.0 | 3 | 38 |
| 426L-0710 | 0.71 | 10.0 | 3 | 38 |
| 426L-0720 | 0.72 | 10.0 | 3 | 38 |
| 426L-0730 | 0.73 | 10.0 | 3 | 38 |
| 426L-0740 | 0.74 | 10.0 | 3 | 38 |
| 426L-0750 | 0.75 | 10.0 | 3 | 38 |
| 426L-0760 | 0.76 | 10.0 | 3 | 38 |
| 426L-0770 | 0.77 | 10.0 | 3 | 38 |
| 426L-0780 | 0.78 | 10.0 | 3 | 38 |
| 426L-0790 | 0.79 | 10.0 | 3 | 38 |
| 426L-0800 | 0.80 | 10.0 | 3 | 38 |
| 426L-0810 | 0.81 | 10.0 | 3 | 38 |
| 426L-0820 | 0.82 | 10.0 | 3 | 38 |
| 426L-0830 | 0.83 | 10.0 | 3 | 38 |
| 426L-0840 | 0.84 | 10.0 | 3 | 38 |
| 426L-0850 | 0.85 | 10.0 | 3 | 38 |
| 426L-0860 | 0.86 | 10.0 | 3 | 38 |
| 426L-0870 | 0.87 | 10.0 | 3 | 38 |
| 426L-0880 | 0.88 | 10.0 | 3 | 38 |
| 426L-0890 | 0.89 | 10.0 | 3 | 38 |
| 426L-0900 | 0.90 | 10.0 | 3 | 38 |
| 426L-0910 | 0.91 | 10.0 | 3 | 38 |
| 426L-0920 | 0.92 | 10.0 | 3 | 38 |
| 426L-0930 | 0.93 | 10.0 | 3 | 38 |
| 426L-0940 | 0.94 | 10.0 | 3 | 38 |
| 426L-0950 | 0.95 | 10.0 | 3 | 38 |
| 426L-0960 | 0.96 | 10.0 | 3 | 38 |
| 426L-0970 | 0.97 | 10.0 | 3 | 38 |
| 426L-0980 | 0.98 | 10.0 | 3 | 38 |
| 426L-0990 | 0.99 | 10.0 | 3 | 38 |

單位: (mm)

單位: (mm)

| 商品号 EDP NO. | 直径 D1 | 刃长 H | 柄径 D | 全长 L |
|----------------|----------|---------|---------|---------|
| 426L-1000 | 1.00 | 12.0 | 3 | 38 |
| 426L-1010 | 1.01 | 12.0 | 3 | 38 |
| 426L-1020 | 1.02 | 12.0 | 3 | 38 |
| 426L-1030 | 1.03 | 12.0 | 3 | 38 |
| 426L-1040 | 1.04 | 12.0 | 3 | 38 |
| 426L-1050 | 1.05 | 12.0 | 3 | 38 |
| 426L-1060 | 1.06 | 12.0 | 3 | 38 |
| 426L-1070 | 1.07 | 12.0 | 3 | 38 |
| 426L-1080 | 1.08 | 12.0 | 3 | 38 |
| 426L-1090 | 1.09 | 12.0 | 3 | 38 |
| 426L-1100 | 1.10 | 12.0 | 3 | 38 |
| 426L-1110 | 1.11 | 12.0 | 3 | 38 |
| 426L-1120 | 1.12 | 12.0 | 3 | 38 |
| 426L-1130 | 1.13 | 12.0 | 3 | 38 |
| 426L-1140 | 1.14 | 12.0 | 3 | 38 |
| 426L-1150 | 1.15 | 12.0 | 3 | 38 |
| 426L-1160 | 1.16 | 12.0 | 3 | 38 |
| 426L-1170 | 1.17 | 12.0 | 3 | 38 |
| 426L-1180 | 1.18 | 12.0 | 3 | 38 |
| 426L-1190 | 1.19 | 12.0 | 3 | 38 |
| 426L-1200 | 1.20 | 12.0 | 3 | 38 |
| 426L-1210 | 1.21 | 15.0 | 3 | 50 |
| 426L-1220 | 1.22 | 15.0 | 3 | 50 |
| 426L-1230 | 1.23 | 15.0 | 3 | 50 |
| 426L-1240 | 1.24 | 15.0 | 3 | 50 |
| 426L-1250 | 1.25 | 15.0 | 3 | 50 |
| 426L-1260 | 1.26 | 15.0 | 3 | 50 |
| 426L-1270 | 1.27 | 15.0 | 3 | 50 |
| 426L-1280 | 1.28 | 15.0 | 3 | 50 |
| 426L-1290 | 1.29 | 15.0 | 3 | 50 |
| 426L-1300 | 1.30 | 15.0 | 3 | 50 |
| 426L-1310 | 1.31 | 15.0 | 3 | 50 |
| 426L-1320 | 1.32 | 15.0 | 3 | 50 |
| 426L-1330 | 1.33 | 15.0 | 3 | 50 |
| 426L-1340 | 1.34 | 15.0 | 3 | 50 |
| 426L-1350 | 1.35 | 15.0 | 3 | 50 |
| 426L-1360 | 1.36 | 15.0 | 3 | 50 |
| 426L-1370 | 1.37 | 15.0 | 3 | 50 |
| 426L-1380 | 1.38 | 15.0 | 3 | 50 |
| 426L-1390 | 1.39 | 15.0 | 3 | 50 |
| 426L-1400 | 1.40 | 15.0 | 3 | 50 |
| 426L-1410 | 1.41 | 15.0 | 3 | 50 |
| 426L-1420 | 1.42 | 15.0 | 3 | 50 |
| 426L-1430 | 1.43 | 15.0 | 3 | 50 |
| 426L-1440 | 1.44 | 15.0 | 3 | 50 |
| 426L-1450 | 1.45 | 15.0 | 3 | 50 |
| 426L-1460 | 1.46 | 15.0 | 3 | 50 |
| 426L-1470 | 1.47 | 15.0 | 3 | 50 |
| 426L-1480 | 1.48 | 15.0 | 3 | 50 |
| 426L-1490 | 1.49 | 15.0 | 3 | 50 |
| 426L-1500 | 1.50 | 20.0 | 3 | 50 |

| 商品号 EDP NO. | 直径 D1 | 刃长 H | 柄径 D | 全长 L |
|----------------|----------|---------|---------|---------|
| 426L-1510 | 1.51 | 20.0 | 3 | 50 |
| 426L-1520 | 1.52 | 20.0 | 3 | 50 |
| 426L-1530 | 1.53 | 20.0 | 3 | 50 |
| 426L-1540 | 1.54 | 20.0 | 3 | 50 |
| 426L-1550 | 1.55 | 20.0 | 3 | 50 |
| 426L-1560 | 1.56 | 20.0 | 3 | 50 |
| 426L-1570 | 1.57 | 20.0 | 3 | 50 |
| 426L-1580 | 1.58 | 20.0 | 3 | 50 |
| 426L-1590 | 1.59 | 20.0 | 3 | 50 |
| 426L-1600 | 1.60 | 20.0 | 3 | 50 |
| 426L-1610 | 1.61 | 20.0 | 3 | 50 |
| 426L-1620 | 1.62 | 20.0 | 3 | 50 |
| 426L-1630 | 1.63 | 20.0 | 3 | 50 |
| 426L-1640 | 1.64 | 20.0 | 3 | 50 |
| 426L-1650 | 1.65 | 20.0 | 3 | 50 |
| 426L-1660 | 1.66 | 20.0 | 3 | 50 |
| 426L-1670 | 1.67 | 20.0 | 3 | 50 |
| 426L-1680 | 1.68 | 20.0 | 3 | 50 |
| 426L-1690 | 1.69 | 20.0 | 3 | 50 |
| 426L-1700 | 1.70 | 20.0 | 3 | 50 |
| 426L-1710 | 1.71 | 20.0 | 3 | 50 |
| 426L-1720 | 1.72 | 20.0 | 3 | 50 |
| 426L-1730 | 1.73 | 20.0 | 3 | 50 |
| 426L-1740 | 1.74 | 20.0 | 3 | 50 |
| 426L-1750 | 1.75 | 20.0 | 3 | 50 |
| 426L-1760 | 1.76 | 20.0 | 3 | 50 |
| 426L-1770 | 1.77 | 20.0 | 3 | 50 |
| 426L-1780 | 1.78 | 20.0 | 3 | 50 |
| 426L-1790 | 1.79 | 20.0 | 3 | 50 |
| 426L-1800 | 1.80 | 20.0 | 3 | 50 |
| 426L-1810 | 1.81 | 20.0 | 3 | 50 |
| 426L-1820 | 1.82 | 20.0 | 3 | 50 |
| 426L-1830 | 1.83 | 20.0 | 3 | 50 |
| 426L-1840 | 1.84 | 20.0 | 3 | 50 |
| 426L-1850 | 1.85 | 20.0 | 3 | 50 |
| 426L-1860 | 1.86 | 20.0 | 3 | 50 |
| 426L-1870 | 1.87 | 20.0 | 3 | 50 |
| 426L-1880 | 1.88 | 20.0 | 3 | 50 |
| 426L-1890 | 1.89 | 20.0 | 3 | 50 |
| 426L-1900 | 1.90 | 20.0 | 3 | 50 |
| 426L-1910 | 1.91 | 20.0 | 3 | 50 |
| 426L-1920 | 1.92 | 20.0 | 3 | 50 |
| 426L-1930 | 1.93 | 20.0 | 3 | 50 |
| 426L-1940 | 1.94 | 20.0 | 3 | 50 |
| 426L-1950 | 1.95 | 20.0 | 3 | 50 |
| 426L-1960 | 1.96 | 20.0 | 3 | 50 |
| 426L-1970 | 1.97 | 20.0 | 3 | 50 |
| 426L-1980 | 1.98 | 20.0 | 3 | 50 |
| 426L-1990 | 1.99 | 20.0 | 3 | 50 |
| 426L-2000 | 2.00 | 20.0 | 3 | 50 |
| 426L-2010 | 2.01 | 25.0 | 3 | 60 |

單位: (mm)

| 商品号 EDP NO. | 直径 D1 | 刃长 H | 柄径 D | 全长 L |
|----------------|----------|---------|---------|---------|
| 426L-2020 | 2.02 | 25.0 | 3 | 60 |
| 426L-2030 | 2.03 | 25.0 | 3 | 60 |
| 426L-2040 | 2.04 | 25.0 | 3 | 60 |
| 426L-2050 | 2.05 | 25.0 | 3 | 60 |
| 426L-2060 | 2.06 | 25.0 | 3 | 60 |
| 426L-2070 | 2.07 | 25.0 | 3 | 60 |
| 426L-2080 | 2.08 | 25.0 | 3 | 60 |
| 426L-2090 | 2.09 | 25.0 | 3 | 60 |
| 426L-2100 | 2.10 | 25.0 | 3 | 60 |
| 426L-2110 | 2.11 | 25.0 | 3 | 60 |
| 426L-2120 | 2.12 | 25.0 | 3 | 60 |
| 426L-2130 | 2.13 | 25.0 | 3 | 60 |
| 426L-2140 | 2.14 | 25.0 | 3 | 60 |
| 426L-2150 | 2.15 | 25.0 | 3 | 60 |
| 426L-2160 | 2.16 | 25.0 | 3 | 60 |
| 426L-2170 | 2.17 | 25.0 | 3 | 60 |
| 426L-2180 | 2.18 | 25.0 | 3 | 60 |
| 426L-2190 | 2.19 | 25.0 | 3 | 60 |
| 426L-2200 | 2.20 | 25.0 | 3 | 60 |
| 426L-2210 | 2.21 | 25.0 | 3 | 60 |
| 426L-2220 | 2.22 | 25.0 | 3 | 60 |
| 426L-2230 | 2.23 | 25.0 | 3 | 60 |
| 426L-2240 | 2.24 | 25.0 | 3 | 60 |
| 426L-2250 | 2.25 | 25.0 | 3 | 60 |
| 426L-2260 | 2.26 | 25.0 | 3 | 60 |
| 426L-2270 | 2.27 | 25.0 | 3 | 60 |
| 426L-2280 | 2.28 | 25.0 | 3 | 60 |
| 426L-2290 | 2.29 | 25.0 | 3 | 60 |
| 426L-2300 | 2.30 | 25.0 | 3 | 60 |
| 426L-2310 | 2.31 | 25.0 | 3 | 60 |
| 426L-2320 | 2.32 | 25.0 | 3 | 60 |
| 426L-2330 | 2.33 | 25.0 | 3 | 60 |
| 426L-2340 | 2.34 | 25.0 | 3 | 60 |
| 426L-2350 | 2.35 | 25.0 | 3 | 60 |
| 426L-2360 | 2.36 | 25.0 | 3 | 60 |
| 426L-2370 | 2.37 | 25.0 | 3 | 60 |
| 426L-2380 | 2.38 | 25.0 | 3 | 60 |
| 426L-2390 | 2.39 | 25.0 | 3 | 60 |
| 426L-2400 | 2.40 | 25.0 | 3 | 60 |
| 426L-2410 | 2.41 | 25.0 | 3 | 60 |
| 426L-2420 | 2.42 | 25.0 | 3 | 60 |
| 426L-2430 | 2.43 | 25.0 | 3 | 60 |
| 426L-2440 | 2.44 | 25.0 | 3 | 60 |
| 426L-2450 | 2.45 | 25.0 | 3 | 60 |
| 426L-2460 | 2.46 | 25.0 | 3 | 60 |
| 426L-2470 | 2.47 | 25.0 | 3 | 60 |
| 426L-2480 | 2.48 | 25.0 | 3 | 60 |
| 426L-2490 | 2.49 | 25.0 | 3 | 60 |
| 426L-2500 | 2.50 | 25.0 | 3 | 60 |
| 426L-2510 | 2.51 | 25.0 | 3 | 60 |
| 426L-2520 | 2.52 | 25.0 | 3 | 60 |

單位: (mm)

| 商品号 EDP NO. | 直径 D1 | 刃长 H | 柄径 D | 全长 L |
|----------------|----------|---------|---------|---------|
| 426L-2530 | 2.53 | 25.0 | 3 | 60 |
| 426L-2540 | 2.54 | 25.0 | 3 | 60 |
| 426L-2550 | 2.55 | 25.0 | 3 | 60 |
| 426L-2560 | 2.56 | 25.0 | 3 | 60 |
| 426L-2570 | 2.57 | 25.0 | 3 | 60 |
| 426L-2580 | 2.58 | 25.0 | 3 | 60 |
| 426L-2590 | 2.59 | 25.0 | 3 | 60 |
| 426L-2600 | 2.60 | 25.0 | 3 | 60 |
| 426L-2610 | 2.61 | 25.0 | 3 | 60 |
| 426L-2620 | 2.62 | 25.0 | 3 | 60 |
| 426L-2630 | 2.63 | 25.0 | 3 | 60 |
| 426L-2640 | 2.64 | 25.0 | 3 | 60 |
| 426L-2650 | 2.65 | 25.0 | 3 | 60 |
| 426L-2660 | 2.66 | 25.0 | 3 | 60 |
| 426L-2670 | 2.67 | 25.0 | 3 | 60 |
| 426L-2680 | 2.68 | 25.0 | 3 | 60 |
| 426L-2690 | 2.69 | 25.0 | 3 | 60 |
| 426L-2700 | 2.70 | 25.0 | 3 | 60 |
| 426L-2710 | 2.71 | 25.0 | 3 | 60 |
| 426L-2720 | 2.72 | 25.0 | 3 | 60 |
| 426L-2730 | 2.73 | 25.0 | 3 | 60 |
| 426L-2740 | 2.74 | 25.0 | 3 | 60 |
| 426L-2750 | 2.75 | 25.0 | 3 | 60 |
| 426L-2760 | 2.76 | 25.0 | 3 | 60 |
| 426L-2770 | 2.77 | 25.0 | 3 | 60 |
| 426L-2780 | 2.78 | 25.0 | 3 | 60 |
| 426L-2790 | 2.79 | 25.0 | 3 | 60 |
| 426L-2800 | 2.80 | 25.0 | 3 | 60 |
| 426L-2810 | 2.81 | 25.0 | 3 | 60 |
| 426L-2820 | 2.82 | 25.0 | 3 | 60 |
| 426L-2830 | 2.83 | 25.0 | 3 | 60 |
| 426L-2840 | 2.84 | 25.0 | 3 | 60 |
| 426L-2850 | 2.85 | 25.0 | 3 | 60 |
| 426L-2860 | 2.86 | 25.0 | 3 | 60 |
| 426L-2870 | 2.87 | 25.0 | 3 | 60 |
| 426L-2880 | 2.88 | 25.0 | 3 | 60 |
| 426L-2890 | 2.89 | 25.0 | 3 | 60 |
| 426L-2900 | 2.90 | 25.0 | 3 | 60 |
| 426L-2910 | 2.91 | 25.0 | 3 | 60 |
| 426L-2920 | 2.92 | 25.0 | 3 | 60 |
| 426L-2930 | 2.93 | 25.0 | 3 | 60 |
| 426L-2940 | 2.94 | 25.0 | 3 | 60 |
| 426L-2950 | 2.95 | 25.0 | 3 | 60 |
| 426L-2960 | 2.96 | 25.0 | 3 | 60 |
| 426L-2970 | 2.97 | 25.0 | 3 | 60 |
| 426L-2980 | 2.98 | 25.0 | 3 | 60 |
| 426L-2990 | 2.99 | 25.0 | 3 | 60 |
| 426L-3000 | 3.00 | 25.0 | 3 | 60 |