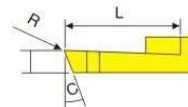
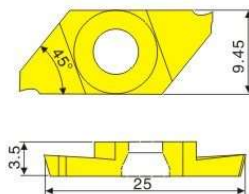


# 切槽刀片 Grooving insert

CT□□□.□□□

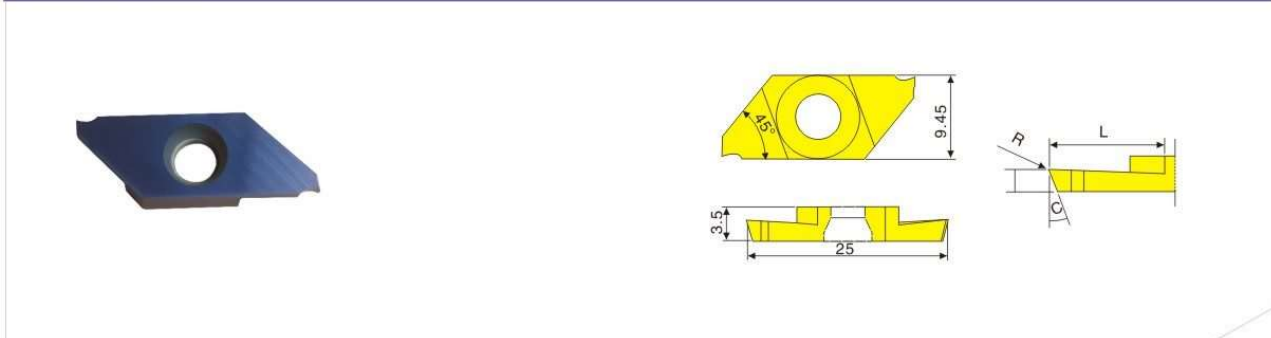


型号 Model	尺寸 Dimension					牌号 Grade		
	R	W	L	C	最大切断D Max cut-off	LF6018	LF90	LDA
CTPA0.7FR	0.05	0.7	6.5	16°	12	▲		▲
CTPA1.0FR		1	6.5	16°	12	▲		▲
CTPA1.5FR		1.5	7.5	16°	14	▲		▲
CTPA2.0FR		2	7.5	16°	14	▲		▲
CTPA0.7FRN		0.7	6.5	0	12	▲		▲
CTPA1.0FRN		1	6.5	0	12	▲		▲
CTPA1.5FRN		1.5	7.5	0	14	▲		▲
CTPA2.0FRN		2	7.5	0	14	▲		▲
CTPA0.7FL		0.7	6.5	16°	12	▲		▲
CTPA1.0FL		1	6.5	16°	12	▲		▲
CTPA1.5FL		1.5	7.5	16°	14	▲		▲
CTPA2.0FL		2	7.5	16°	14	▲		▲
CTPA0.7FLN		0.7	6.5	0	12	▲		▲
CTPA1.0FLN		1	6.5	0	12	▲		▲
CTPA1.5FLN		1.5	7.5	0	14	▲		▲
CTPA2.0FLN		2	7.5	0	14	▲		▲

产品库存 ▲ 主推牌号备库存 ○ 按订单生产  
 Product stock Main grade reserve stock Make-to-order

# 切槽刀片 Grooving insert

CT□□.□□□



型号 Model	尺寸 Dimension					牌号 Grade		
	R	W	L	C	最大切断D Max cut-off	LF6018	LF90	LDA
CTP0.7FR	0.05	0.7	4.5	16°	8	▲		▲
CTP1.0FR		1	6.5	16°	12	▲		▲
CTP1.5FR		1.5	6.5	16°	12	▲		▲
CTP2.0FR		2	6.5	16°	12	▲		▲
CTP0.7FRN		0.7	4.5	0	8	▲		▲
CTP1.0FRN		1	6.5	0	12	▲		▲
CTP1.5FRN		1.5	6.5	0	12	▲		▲
CTP2.0FRN		2	6.5	0	12	▲		▲
CTP0.7FL		0.7	4.5	16°	8	▲		▲
CTP1.0FL		1	6.5	16°	12	▲		▲
CTP1.5FL		1.5	6.5	16°	12	▲		▲
CTP2.0FL		2	6.5	16°	12	▲		▲
CTP0.7FLN		0.7	4.5	0	8	▲		▲
CTP1.0FLN		1	6.5	0	12	▲		▲
CTP1.5FLN		1.5	6.5	0	12	▲		▲
CTP2.0FLN		2	6.5	0	12	▲		▲

**产品库存** ▲ 主推牌号备库存 ○ 按订单生产  
 Product stock Main grade reserve stock Make-to-order

