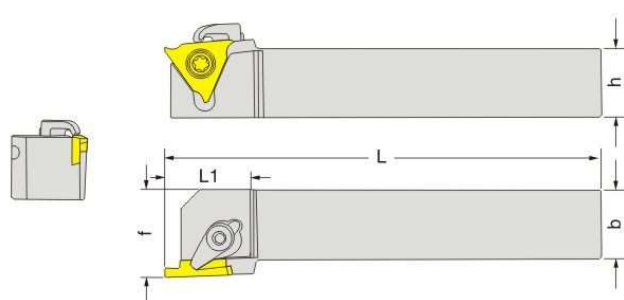
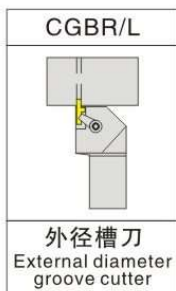


槽刀 Grooving Holder

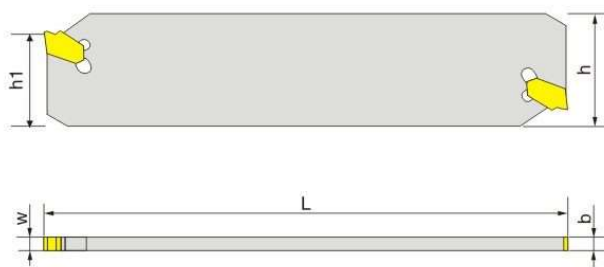
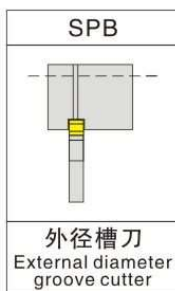
CGBR/L



参考 Reference	刀杆形状 Cutter bar shape	适用条件 Applicable conditions	适用刀片 Applicable insert	配件 Accessories							
注释 Note		宽槽, 深槽加工 Wide and deep grooving									
		(mm)		压板 Clamp	螺丝 Screw	扳手 Wrench					
型号 Model	w	b	h	L	L1	h1	f				
CGBR/L1616H16	0.5-2.5	16	16	100	22	16	20	GB32R/L	HL1808	M3.5 × 10 ML0520	T20 L2.5
CGBR/L2020K16	0.5-2.5	20	20	125	26	20	25				
CGBR/L2525M16	0.5-2.5	25	25	150	26	25	32				
CGBR/L2020K22-1	1.25-1.85	20	20	125	26	20	25	GB43R/L125-185	HL1808	M5 × 12 ML0520	T20 L2.5
CGBR/L2020K22-2	2.0-2.8	20	20	125	26	20	25	GB43R/L200-280			
CGBR/L2020K22-3	3.0-4.5	20	20	125	26	20	25	GB43R/L300-450			
CGBR/L2525M22-1	1.25-1.85	25	25	150	26	25	32	GB43R/L125-185			
CGBR/L2525M22-2	2.0-2.8	25	25	150	26	25	32	GB43R/L200-280			
CGBR/L2525M22-3	3.0-4.5	25	25	150	26	25	32	GB43R/L300-450			

槽刀 Grooving Holder

SPB



型号 Model	刀片 Insert	规格 Specification				
		w	b	h	L	h1
SPB26-2	SP200,200R/L	2	1.6	26	26	21
SPB26-3	ZQM × 3N-11-1E SP300,300R/L	3	2.4	26	26	21
SPB26-4	ZQM × 4N-11-1E SP400,400R/L	4	3.2	26	26	21
SPB26-5	ZQM × 5N-11-1E SP500,500R/L	5	4.2	26	26	21
SPB32-2	SP200,200R/L	2	1.6	32	32	27
SPB32-3	ZQM × 3N-11-1E SP300,300R/L	3	2.4	32	32	27
SPB32-4	ZQM × 4N-11-1E SP400,400R/L	4	3.2	32	32	27
SPB32-5	ZQM × 5N-11-1E SP500,500R/L	5	4.2	32	32	27
SPB32-6	ZQM × 6N-11-1E SP600,600R/L	6	5.2	32	32	27