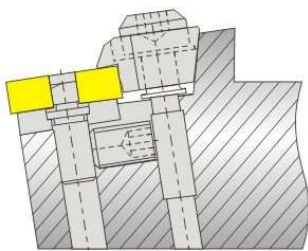
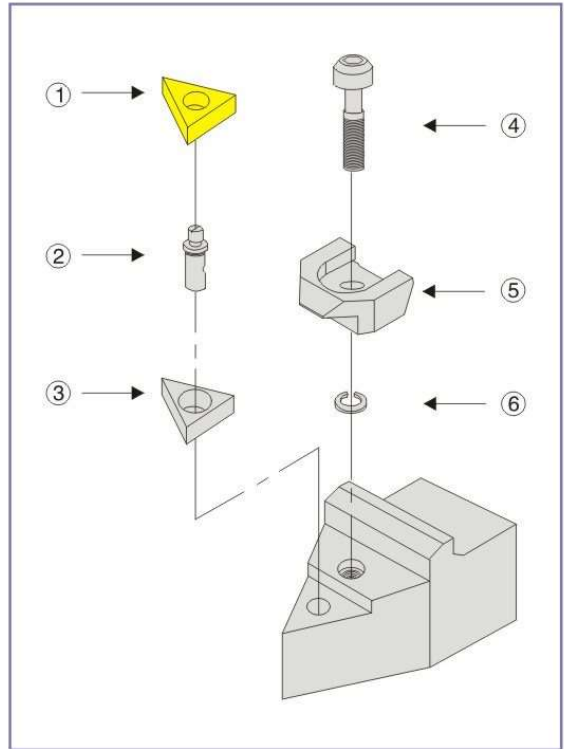


W-type

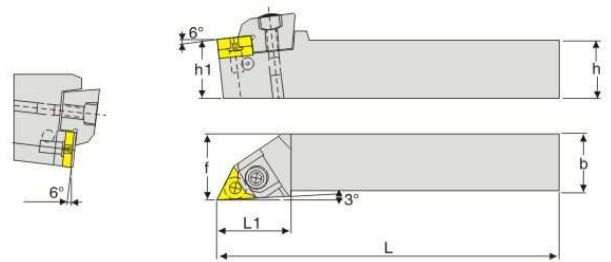


- ① 刀片
Insert
- ② 中心销
Center pin
- ③ 垫片
Shim
- ④ 压板螺丝
Clamp Screw
- ⑤ 压板
Clamp
- ⑥ 弹簧
Spring



外圆刀(压板式) External Turning Holder(W-type)

WTJNR/L



型号 Model	刀片 Insert 	适用条件 Applicable conditions						配件 Accessories				
		h	b	L	L1	h1	f	 刀垫 Shim	 销钉 Pin	 压板 Clamp	 大头螺丝 Thumb screw	 扳手 Wrench
WTJNR/L1616K16	TN□□1604□□	16	16	125	16	16	30	ST1603	CTM515	WT-Y	M5 x 25	L2.5 L4.0
WTJNR/L2020K16		20	20	125	25	20	33					
WTJNR/L2525M16		25	25	150	32	25	33					
WTJNR/L3232P16		32	32	170	40	32	33					
WTJNR/L2525M22	TN□□2204□□	25	25	150	32	25	35	ST2204	CTM818	WT-Y	ML0830	L3.0 L4.0
WTJNR/L3232P22		32	32	170	40	32	35					