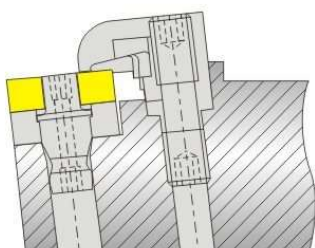
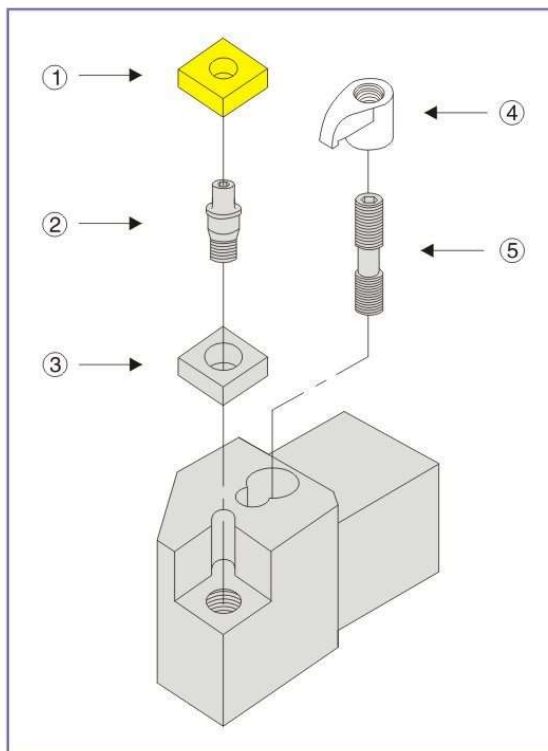


M-type

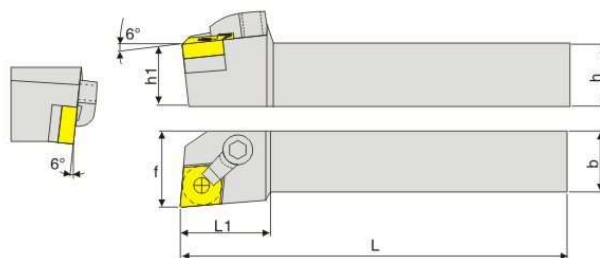


- ① 刀片
Insert
- ② 刀垫螺丝
Shim Screw
- ③ 刀垫
Shim
- ④ 压板
Clamp
- ⑤ 压板螺丝
Clamping Screw



外圆刀(压板式) External Turning Holder(M-type)

MCLNR/L



型号 Model	刀片 Insert 	适用条件 Applicable conditions						配件 Accessories				
		h	b	L	L1	h1	f	刀垫 Shim	销钉 Pin	压板 Clamp	双头螺丝 Clamping Screw	扳手 Wrench
MCLNR/L1616H12	CN□□1204□□	16	16	100	16.0	16	20	SC1204	CTM617	HL1814	ML0625	L2.5 L3.0
MCLNR/L2020K12		20	20	125	25.0	20	32					
MCLNR/L2525M12		25	25	150	32.0	25	32					
MCLNR/L3232P12		32	32	170	40.0	32	32					
MCLNR/L4040R12	CN□□1606□□	40	40	200	50	40	40	SC1604	CTM822	HL2217	ML0830	L4.0 L5.0
MCLNR/L2525M16		25	25	150	32.0	25	33					
MCLNR/L3232P16		32	32	170	40.0	32	33					
MCLNR/L4040R16		40	40	200	50	40	40					
MCLNR/L3232P19	CN□□1906□□	32	32	170	40.0	32	32	SC1904	CT1022	HL2217	ML0830	L4.0 L5.0
MCLNR/L4040R19		40	40	200	50	40	40					