

配件

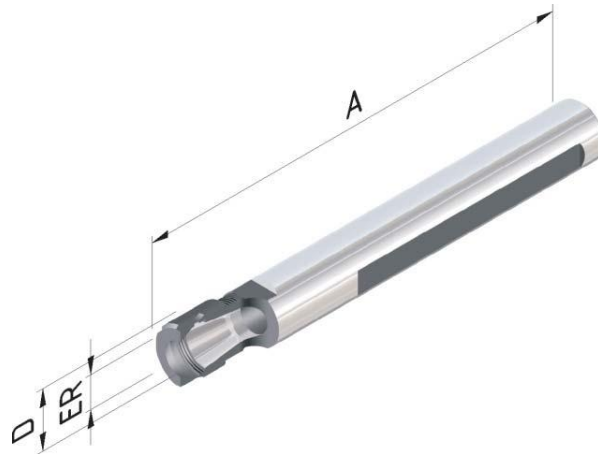


Accessory

Accessory

ER迷你延长杆	5.03	热缩刀柄延长杆	5.04
DIN 69872拉钉	5.08	ISO 7388 B型拉钉	5.09
MAS 403 BT拉钉	5.10	CAT拉钉	5.11
刀柄冷却导管	5.12	ER高精密弹簧夹头	5.13
ER弹簧夹头套装	5.17	螺母	5.17
带保护装置快换攻丝夹头	5.18	不带保护装置快换攻丝夹头	5.20
液压减径套	5.22		

DIN 6499 B Collets ER / ER-迷你延长杆



Order No. 货号	Size 规格	D	ER	A
H4016.1411.169	ER11-16-169	16	11	169
H4020.1416.163	ER16-20-163	20	16	163
H4025.1420.164	ER20-25-164	25	20	164

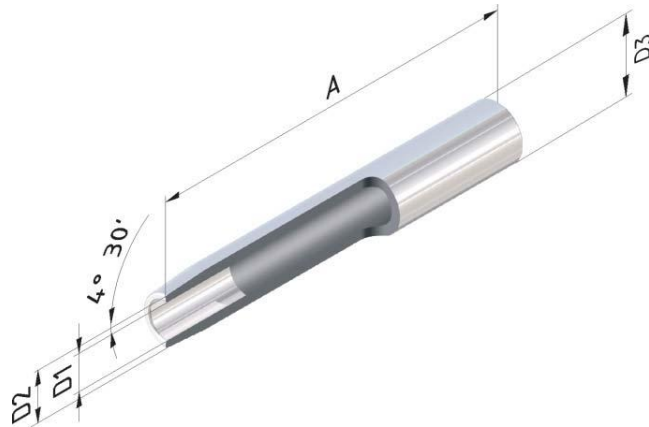
应用：延长刀柄, 圆柱柄可用铣刀柄或弹簧夹头刀柄夹紧

Application: For the extension of tool holders. Cylindrical shank can be clamped in end mill holder or collet chuck.

发货：带螺母

Includes: Clamping nut.

Shrink Fit Extention Chuck / HSK-4.5°热缩刀柄延长杆

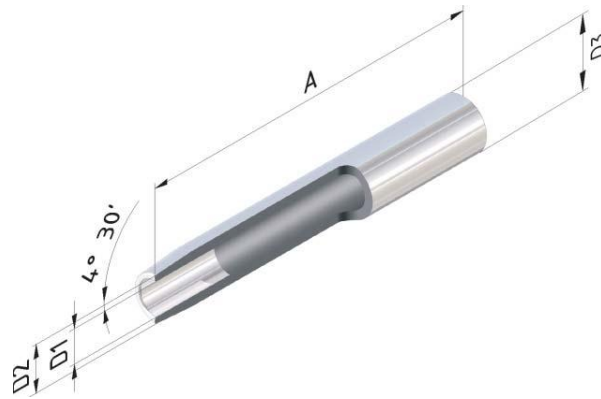


Order No. 货号	Size 规格	D3	D1	D2	A
H4612.0803	LS-12-3-160	12	3	8	160
H4612.0804	LS-12-4-160	12	4	8	160
H4616.1003	LS-16-3-160	16	3	10	160
H4616.1004	LS-16-4-160	16	4	10	160
H4616.1005	LS-16-5-160	16	5	10	160
H4616.1006	LS-16-6-160	16	6	10	160
H4620.1405	LS-20-5-160	20	5	14	160
H4620.1406	LS-20-6-160	20	6	14	160
H4620.1408	LS-20-8-160	20	8	14	160
H4625.1908	LS-25-8-160	25	8	19	160
H4625.2010	LS-25-10-160	25	10	20	160
H4625.2012	LS-25-12-160	25	12	20	160
H4625.2014	LS-25-14-160	25	14	20	160
H4625.2216	LS-25-16-160	25	16	22	160
H4632.2410	LS-32-10-160	32	10	24	160
H4632.2412	LS-32-12-160	32	12	24	160
H4632.2714	LS-32-14-160	32	14	27	160
H4632.2716	LS-32-16-160	32	16	27	160
H4632.2718	LS-32-18-160	32	18	27	160
H4632.2720	LS-32-20-160	32	20	27	160

应用：延长刀柄，圆柱柄用铣刀柄或弹簧夹头刀柄夹紧

Application: For the extension of tool holders. Cylindrical shank can be clamped in end mill holder or collet chuck.

## Shrink Fit Extension Chuck / HSK-4.5°热缩刀柄延长杆

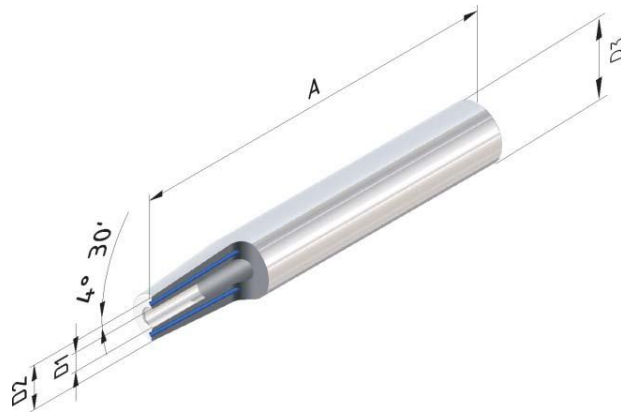


Order No. 货号	Size 规格	D3	D1	D2	A
H4620.1406	LS-20-6-300	20	6	14	300
H4620.1408	LS-20-8-300	20	8	14	300
H4625.1908	LS-25-8-300	25	8	19	300
H4625.2010	LS-25-10-300	25	10	20	300
H4625.2012	LS-25-12-300	25	12	20	300
H4625.2014	LS-25-14-300	25	14	20	300
H4625.2216	LS-25-16-300	25	16	22	300
H4632.2410	LS-32-10-300	32	10	24	300
H4632.2412	LS-32-12-300	32	12	24	300
H4632.2714	LS-32-14-300	32	14	27	300
H4632.2716	LS-32-16-300	32	16	27	300
H4632.2720	LS-32-20-300	32	20	27	300

应用：延长刀柄, 圆柱柄用铣刀柄或弹簧夹头刀柄夹紧

Application: For the extension of tool holders. Cylindrical shank can be clamped in end mill holder or collet chuck.

**Shrink Fit Extension Chuck / HSK-4.5°带前端通水热缩刀柄延长杆**

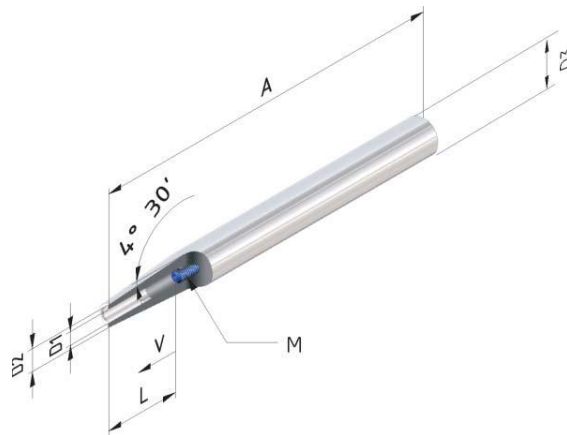


Order No. 货号	Size 规格	D3	D1	D2	A
H4620.1406.3	LCT-20-6-160	20	6	14	160
H4625.1908.3	LCT-25-8-160	25	8	19	160
H4625.2010.3	LCT-25-10-160	25	10	20	160
H4632.2410.3	LCT-32-10-160	32	10	24	160
H4632.2412.3	LCT-32-12-160	32	12	24	160
H4632.2714.3	LCT-32-14-160	32	14	27	160
H4632.2716.3	LCT-32-16-160	32	16	27	160

应用：延长刀柄, 圆柱柄用铣刀柄或弹簧夹头刀柄夹紧

Application: For the extension of tool holders. Cylindrical shank can be clamped in end mill holder or collet chuck.

**Shrink Fit Extention Chuck / HSK-4.5°带长度调节热缩刀柄延长杆**



Order No. 货号	Size 规格	D3	D1	D2	A	V	L	M
H4716.1006	LS3-16-6-160	16	6	10	160	10	37	M5
H4720.1406	LS3-20-6-160	20	6	14	160	10	37	M5
H4725.1408	LS3-20-8-160	20	8	14	160	10	37	M6
H4725.1908	LS3-25-8-160	25	8	19	160	10	37	M6
H4725.2010	LS3-25-10-160	25	10	20	160	10	42	M8x1
H4725.2012	LS3-25-12-160	25	12	20	160	10	48	M10x1
H4725.2014	LS3-25-14-160	25	14	20	160	10	48	M10x1
H4725.2216	LS3-25-16-160	25	16	22	160	10	51	M12x1
H4732.2410	LS3-32-10-160	32	10	24	160	10	42	M8x1
H4732.2412	LS3-32-12-160	32	12	24	160	10	48	M10x1
H4732.2714	LS3-32-14-160	32	14	27	160	10	48	M10x1
H4732.2716	LS3-32-16-160	32	16	27	160	10	51	M12x1
H4732.2718	LS3-32-18-160	32	18	27	160	10	51	M12x1
H4732.2720	LS3-32-20-160	32	20	27	160	10	53	M16x1

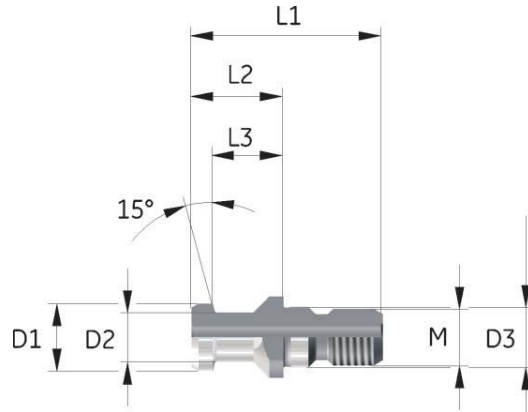
应用：延长刀柄, 圆柱柄可用铣刀柄或弹簧夹头刀柄夹紧

Application: For the extension of tool holders.  
Cylindrical shank can be clamped  
in end mill holder or collet chuck.

发货：带调节螺钉

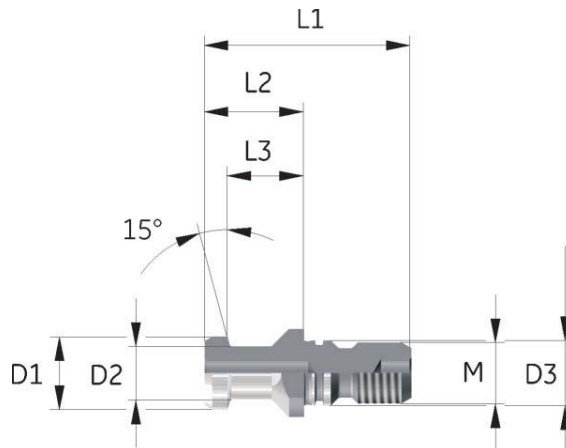
Includes: With set screw.

**Pull Studs DIN 69872 A / SK-通孔无密封拉钉**



Order No. 货号	Size 规格	SK	D1	D2	D3	L1	L2	L3	M
H2042.2015	PS-SK40	40	19	14	17	54	26	20	M16
H2052.2015	PS-SK50	50	28	21	25	74	34	25	M24

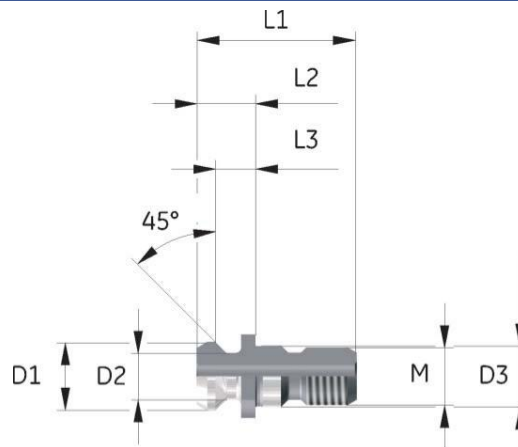
**Pull Studs DIN 69872 A / SK-盲孔带密封拉钉**



Order No. 货号	Size 规格	SK	D1	D2	D3	L1	L2	L3	M
H2042.3015	PS-SK40	40	19	14	17	54	26	20	M16
H2052.3015	PS-SK50	50	28	21	25	74	34	25	M24

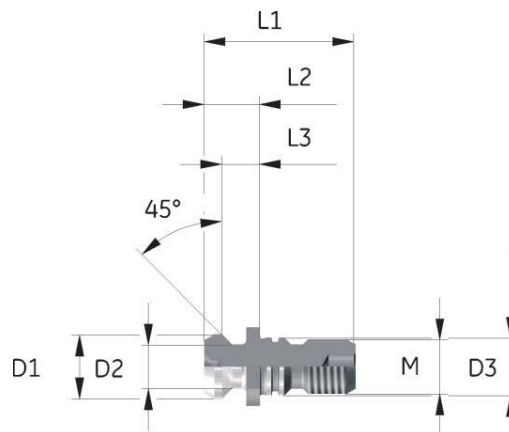


**Pull Studs ISO 7388 Form B / SK-通孔无密封拉钉**



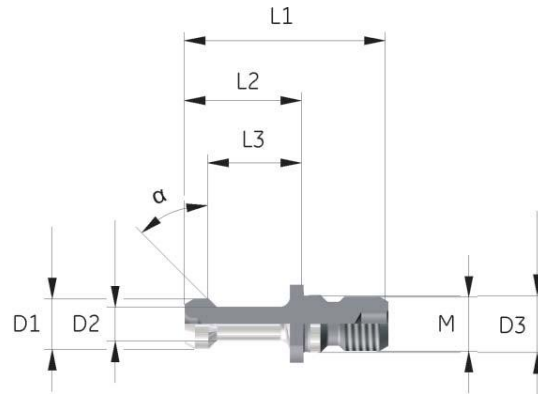
Order No. 货号	Size 规格	SK	D1	D2	D3	L1	L2	L3	M
H2047.2045	PS-SK40	40	18.95	12.95	17	44.5	16.4	11.5	M16
H2057.2045	PS-SK50	50	29.1	19.6	25	65.5	25.55	17.95	M24

**Pull Studs ISO 7388 Form B / SK-盲孔带密封拉钉**



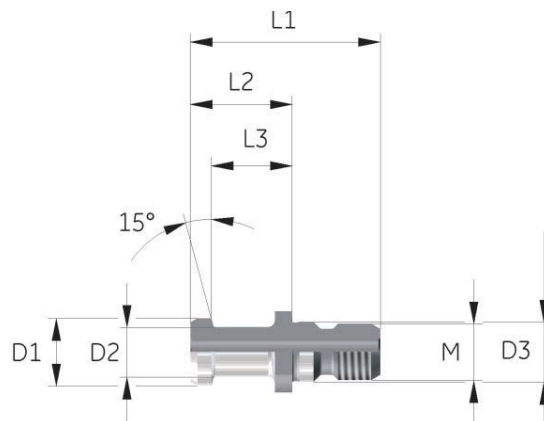
Order No. 货号	Size 规格	SK	D1	D2	D3	L1	L2	L3	M
H2047.3045	PS-SK40	40	18.95	12.95	17	44.5	16.4	11.5	M16
H2057.3045	PS-SK50	50	29.1	19.6	25	65.5	25.55	17.95	M24

**Pull Studs MAS 403 BT / BT-盲孔无密封拉钉**



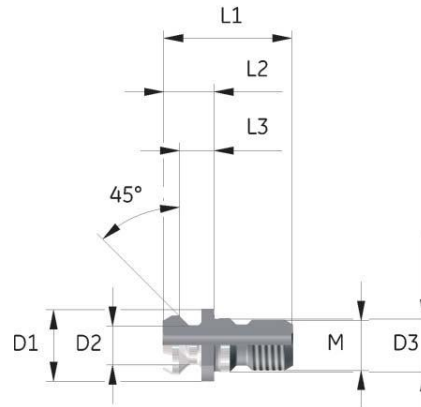
Order No. 货号	Size 规格	BT	$\infty$	D1	D2	D3	L1	L2	L3	M
H2031.4030	PS-BT30	30	30	11	7	12.5	43	23	18	M12
H2041.4045	PS-BT40	40	45	15	10	17	60	35	28	M16
H2041.4030	PS-BT40	40	30	15	10	17	60	35	28	M16
H2051.4045	PS-BT50	50	45	23	17	25	85	45	35	M24
H2051.4030	PS-BT50	50	30	23	17	25	85	45	35	M24

**Pull Studs MAS BT / BT-通孔无密封拉钉**



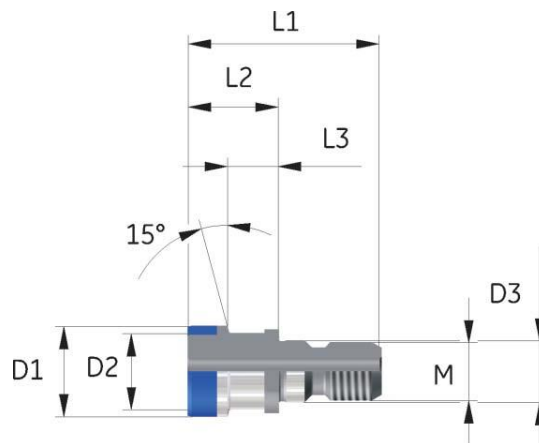
Order No. 货号	Size 规格	BT	D1	D2	D3	L1	L2	L3	M
H2041.2015	PS-BT40	40	19	14	17	54	29	23	M16
H2051.2015	PS-BT50	50	28	21	25	74	34	25	M24

## Pull Studs ANSI CAT / CAT-通孔带密封拉钉



Order No. 货号	Size 规格	SK	D1	D2	D3	L1	L2	L3	M
H2056.1045	PS-CAT50	50	28.95	20.82	25	65.4	25.4	17.78	M24

## Pull Studs DIN2080 / DIN2080拉钉



Order No. 货号	Size 规格	SK	D1	D2	D3	L1	L2	L3	M
H2041.3015	PS-SK40	40	25	21.1	17	53	25	13.6	M16
H2051.3015	PS-SK50	50	39.3	32	25	65	25	13.35	M24

Coolant Tubes / HSK 刀柄冷却导管



Order No. 货号	Size 规格	HSK	M	D	I
H3532.0000	CTB-32	32	M10x1	6	26
H3540.0000	CTB-40	40	M12x1	8	29
H3550.0000	CTB-50	50	M16x1	10	33
H3563.0000	CTB-63	63	M18x1	12	36.5
H3580.0000	CTB-80	80	M20x1.5	14	39.5
H3510.0000	CTB-100	100	M24x1.5	16	43.5

## DIN 6499 B Collets ER / ER-高精度弹簧夹头



高复位性的超精密结构以及去毛刺纯化处理，保证了夹头在 $5\mu$ 以内的跳动，从而有效保护了刀柄内锥和跳动精度，同时还大大提高了夹持力和刚性

Order No. 货号	Size 规格	ER	直径
H1011.1001	ER11-1.0	11	1.0
H1011.10015	ER11-1.5	11	1.5
H1011.1002	ER11-2.0	11	2.0
H1011.10025	ER11-2.5	11	2.5
H1011.1003	ER11-3.0	11	3.0
H1011.10035	ER11-3.5	11	3.5
H1011.1004	ER11-4.0	11	4.0
H1011.10045	ER11-4.5	11	4.5
H1011.1005	ER11-5.0	11	5.0
H1011.10055	ER11-5.5	11	5.5
H1011.1006	ER11-6.0	11	6.0
H1011.10065	ER11-6.5	11	6.5
H1011.1007	ER11-7.0	11	7.0
H1016.1001	ER16-1.0	16	1.0
H1016.10015	ER16-1.5	16	1.5
H1016.1002	ER16-2.0	16	2.0
H1016.10025	ER16-2.5	16	2.5
H1016.1003	ER16-3.0	16	3.0
H1016.10035	ER16-3.5	16	3.5
H1016.1004	ER16-4.0	16	4.0
H1016.10045	ER16-4.5	16	4.5
H1016.1005	ER16-5.0	16	5.0
H1016.10055	ER16-5.5	16	5.5
H1016.1006	ER16-6.0	16	6.0
H1016.10065	ER16-6.5	16	6.5
H1016.1007	ER16-7.0	16	7.0
H1016.10075	ER16-7.5	16	7.5
H1016.1008	ER16-8.0	16	8.0

## DIN 6499 B Collets ER / ER-高精精密弹簧夹头



高复位性的超精密结构以及去毛刺纯化处理，保证了夹头在 $5\mu$ 以内的跳动，从而有效保护了刀柄内锥和跳动精度，同时还大大提高了夹持力和刚性

Order No. 货号	Size 规格	ER	直径
H1016.10085	ER16-8.5	16	8.5
H1016.1009	ER16-9.0	16	9.0
H1016.10095	ER16-9.5	16	9.5
H1016.1010	ER16-10.0	16	10.0
H1020.1001	ER20-1.0	20	1.0
H1020.10015	ER20-1.5	20	1.5
H1020.1002	ER20-2.0	20	2.0
H1020.10025	ER20-2.5	20	2.5
H1020.1003	ER20-3.0	20	3.0
H1020.10035	ER20-3.5	20	3.5
H1020.1004	ER20-4.0	20	4.0
H1020.1005	ER20-5.0	20	5.0
H1020.1006	ER20-6.0	20	6.0
H1020.1007	ER20-7.0	20	7.0
H1020.1008	ER20-8.0	20	8.0
H1020.1009	ER20-9.0	20	9.0
H1020.1010	ER20-10.0	20	10.0
H1020.1011	ER20-11.0	20	11.0
H1020.1012	ER20-12.0	20	12.0
H1020.1013	ER20-13.0	20	13.0
H1025.1001	ER25-1.0	25	1.0
H1025.10015	ER25-1.5	25	1.5
H1025.1002	ER25-2.0	25	2.0
H1025.10025	ER25-2.5	25	2.5
H1025.1003	ER25-3.0	25	3.0
H1025.1004	ER25-4.0	25	4.0
H1025.1005	ER25-5.0	25	5.0
H1025.1006	ER25-6.0	25	6.0

DIN 6499 B Collets ER / ER-高精度弹簧夹头



高复位性的超精密结构以及去毛刺纯化处理，保证了夹头在5 $\mu$ 以内的跳动，从而有效保护了刀柄内锥和跳动精度，同时还大大提高了夹持力和刚性

Order No. 货号	Size 规格	ER	直径
H1025.1007	ER25-7.0	25	7.0
H1025.1008	ER25-8.0	25	8.0
H1025.1009	ER25-9.0	25	9.0
H1025.1010	ER25-10.0	25	10.0
H1025.1011	ER25-11.0	25	11.0
H1025.1012	ER25-12.0	25	12.0
H1025.1013	ER25-13.0	25	13.0
H1025.1014	ER25-14.0	25	14.0
H1025.1015	ER25-15.0	25	15.0
H1025.1016	ER25-16.0	25	16.0
H1032.1002	ER32-2.0	32	2.0
H1032.10025	ER32-2.5	32	2.5
H1032.1003	ER32-3.0	32	3.0
H1032.1004	ER32-4.0	32	4.0
H1032.1005	ER32-5.0	32	5.0
H1032.1006	ER32-6.0	32	6.0
H1032.1007	ER32-7.0	32	7.0
H1032.1008	ER32-8.0	32	8.0
H1032.1009	ER32-9.0	32	9.0
H1032.1010	ER32-10.0	32	10.0
H1032.1011	ER32-11.0	32	11.0
H1032.1012	ER32-12.0	32	12.0
H1032.1013	ER32-13.0	32	13.0
H1032.1014	ER32-14.0	32	14.0
H1032.1015	ER32-15.0	32	15.0
H1032.1016	ER32-16.0	32	16.0
H1032.1017	ER32-17.0	32	17.0
H1032.1018	ER32-18.0	32	18.0

## DIN 6499 B Collets ER / ER-高精度弹簧夹头



高复位性的超精密结构以及去毛刺纯化处理，保证了夹头在 $5\mu$ 以内的跳动，从而有效保护了刀柄内锥和跳动精度，同时还大大提高了夹持力和刚性

Order No. 货号	Size 规格	ER	直径
H1032.1019	ER32-19.0	32	19.0
H1032.1020	ER32-20.0	32	20.0
H1040.1003	ER40-3.0	40	3.0
H1040.1004	ER40-4.0	40	4.0
H1040.1005	ER40-5.0	40	5.0
H1040.1006	ER40-6.0	40	6.0
H1040.1007	ER40-7.0	40	7.0
H1040.1008	ER40-8.0	40	8.0
H1040.1009	ER40-9.0	40	9.0
H1040.1010	ER40-10.0	40	10.0
H1040.1011	ER40-11.0	40	11.0
H1040.1012	ER40-12.0	40	12.0
H1040.1013	ER40-13.0	40	13.0
H1040.1014	ER40-14.0	40	14.0
H1040.1015	ER40-15.0	40	15.0
H1040.1016	ER40-16.0	40	16.0
H1040.1017	ER40-17.0	40	17.0
H1040.1018	ER40-18.0	40	18.0
H1040.1019	ER40-19.0	40	19.0
H1040.1020	ER40-20.0	40	20.0
H1040.1021	ER40-21.0	40	21.0
H1040.1022	ER40-22.0	40	22.0
H1040.1023	ER40-23.0	40	23.0
H1040.1024	ER40-24.0	40	24.0
H1040.1025	ER40-25.0	40	25.0
H1040.1026	ER40-26.0	40	26.0



**Collet Sets in Wooden Sockets / ER弹簧夹头套装**



Order No. 货号	Size 规格	ER	Drn.	间距	数量
H1011.3013	ER11-S13	11	1.0-7.0	0.5	13
H1016.3010	ER11-S10	16	1.0-10.0	1	10
H1020.3012	ER11-S12	20	2.0-13.0	1	12
H1025.3015	ER11-S15	25	2.0-16.0	1	15
H1032.3018	ER11-S18	32	3.0-20.0	1	18
H1040.3023	ER11-S23	40	4.0-26.0	1	23

**ER Clamping / ER-螺母**



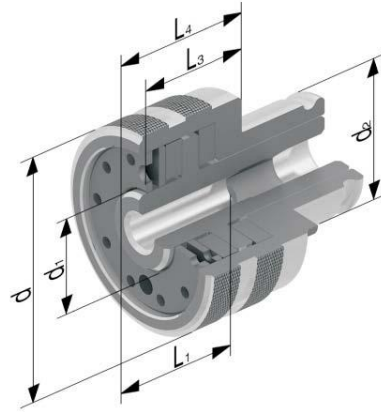
Order No. 货号	Size 规格	ER	SW
H2517.1011	N11	11	17
H2525.1016	N16	16	25
H2530.1020	N20	20	30
H2542.1025	N25	25	-
H2550.1032	N32	32	-
H2563.1040	N40	40	-

**ER Clamping / ER-迷你螺母**



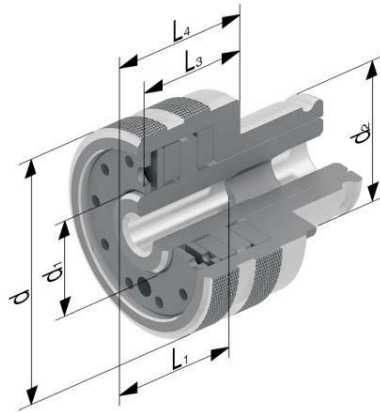
Order No. 货号	Size 规格	ER	SW
H2516.1411	NM11	11	16
H2522.1416	NM16	16	22
H2528.1420	NM20	20	28
H2535.1425	NM25	25	35

**Tapping Collets With Clutch / 带保护装置快换攻丝夹头**



Order No. 货号	Size 规格		DIN371		D	D1	D2	L1	L2	L3
H7219.2821	M2-2.8X2.1	Gr.1	M2	2.8x2.1	32	19	19	17	24	25
H7219.3527	M3-3.5X2.7	Gr.1	M3	3.5x2.7	32	19	19	17	24	25
H7219.4534	M4-4.5X3.4	Gr.1	M4	4.5x3.4	32	19	19	17	24	25
H7219.6049	M5-6X4.9	Gr.1	M5	6x4.9	32	19	19	17	24	25
H7219.6049	M6-6X4.9	Gr.1	M6	6x4.9	32	19	19	17	24	25
H7219.8062	M8-8X6.2	Gr.1	M8	8x6.2	32	19	19	17	24	25
H7219.1080	M10-10X8	Gr.1	M10	10x8	32	19	19	17	24	25
H7231.8062	M8-8X6.2	Gr.2	M8	8x6.2	50	30	31	30	31	34
H7231.1080	M10-10X8	Gr.2	M10	10x8	50	30	31	30	31	34
			<b>DIN376</b>							
H7219.2821	M4-2.8X2.1	Gr.1	M4	2.8x2.1	32	19	19	17	24	25
H7219.3528	M5-3.5X2.8	Gr.1	M5	3.5x2.7	32	19	19	17	24	25
H7219.4534	M6-4.5X3.4	Gr.1	M6	4.5x3.4	32	19	19	17	24	25
H7219.6049	M8-6X4.9	Gr.1	M8	6x4.9	32	19	19	17	24	25
H7219.7055	M10-7X5.5	Gr.1	M10	7x5.5	32	19	19	17	24	25
H7219.9070	M12-9X7	Gr.1	M12	9x7	32	19	19	17	24	25
H7231.6049	M8-6X4.9	Gr.2	M8	6x4.9	50	30	31	30	31	34
H7231.7055	M10-7X5.5	Gr.2	M10	7x5.5	50	30	31	30	31	34
H7231.9070	M12-9X7	Gr.2	M12	9x7	50	30	31	30	31	34
H7231.1190	M14-11X9	Gr.2	M14	11x9	50	30	31	30	31	34
H7231.1290	M16-12X9	Gr.2	M16	12x9	50	30	31	30	31	34
H7231.1411	M18-14X11	Gr.2	M18	14x11	50	30	31	30	31	34
H7231.1612	M20-16X12	Gr.2	M20	16x12	50	30	31	30	31	34
H7231.1814	M24-18X14.5	Gr.2	M24	18x14.5	50	30	31	30	31	34
H7248.1190	M14-11X9	Gr.3	M14	11x9	72	48	48	44	41	45
H7248.1290	M16-12X9	Gr.3	M16	12x9	72	48	48	44	41	45
H7248.1411	M18-14X11	Gr.3	M18	14x11	72	48	48	44	41	45
H7248.1612	M20-16X12	Gr.3	M20	16x12	72	48	48	44	41	45

**Tapping Collets With Clutch / 带保护装置快换攻丝夹头**



Order No. 货号	Size 规格		DIN376		D	D1	D2	L1	L2	L3
H7248.1814	M22-18X14.5	Gr.3	M22	18x14.5	72	48	48	44	41	45
H7248.1814	M24-18X14.5	Gr.3	M24	18x14.5	72	48	48	44	41	45
H7248.2016	M27-20X16	Gr.3	M27	20x16	72	48	48	44	41	45
H7248.2218	M30-22X18	Gr.3	M30	22x8	72	48	48	44	41	45
H7248.2520	M33-25X20	Gr.3	M33	25x20	72	48	48	44	41	45
H7260.1814	M22-18X14.5	Gr.4	M22	18x14.5	96	60	60	71	61	68
H7260.1814	M24-18X14.5	Gr.4	M24	18x14.5	96	60	60	71	61	68
H7260.2016	M27-20X16	Gr.4	M27	20x16	96	60	60	71	61	68
H7260.2218	M30-22X18	Gr.4	M30	22x18	96	60	60	71	61	68
H7260.2520	M33-25X20	Gr.4	M33	25x20	96	60	60	71	61	68
H7260.2822	M36-28X22	Gr.4	M36	28x22	96	60	60	71	61	68
H7260.3224	M42-32X24	Gr.4	M42	32x24	96	60	60	71	61	68
H7260.3629	M48-36X29	Gr.4	M48	36x29	96	60	60	71	61	68

**Tapping Collets Without Clutch / 不带保护装置快换攻丝夹头**



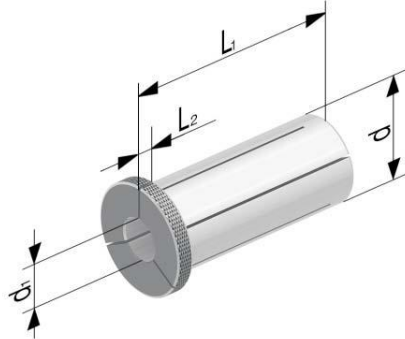
Order No. 货号	Size 规格		DIN371		D	D1	D2	L1	L5
H7119.2821	M2-2.8X2.1	Gr.1	M2	2.8x2.1	30	19	19	17	7
H7119.3527	M3-3.5X2.7	Gr.1	M3	3.5x2.7	30	19	19	17	7
H7119.4534	M4-4.5X3.4	Gr.1	M4	4.5x3.4	30	19	19	17	7
H7119.6049	M5-6X4.9	Gr.1	M5	6x4.9	30	19	19	17	7
H7119.6049	M6-6X4.9	Gr.1	M6	6x4.9	30	19	19	17	7
H7119.8062	M8-8X6.2	Gr.1	M8	8x6.2	30	19	19	17	7
H7119.1080	M10-10X8	Gr.1	M10	10x8	30	19	19	17	7
H7131.8062	M8-8X6.2	Gr.2	M8	8x6.2	48	30	31	30	11
H7131.1080	M10-10X8	Gr.2	M10	10x8	48	30	31	30	11
			<b>DIN376</b>						
H7119.2821	M4-2.8X2.1	Gr.1	M4	2.8x2.1	30	19	19	17	7
H7119.3527	M5-3.5X2.7	Gr.1	M5	3.5x2.7	30	19	19	17	7
H7119.4534	M6-4.5X3.4	Gr.1	M6	4.5x3.4	30	19	19	17	7
H7119.6049	M8-6X4.9	Gr.1	M8	6x4.9	30	19	19	17	7
H7119.7055	M10-7X5.5	Gr.1	M10	7x5.5	30	19	19	17	7
H7119.9070	M12-11X9	Gr.1	M12	9x7	30	19	19	17	7
H7119.1190	M14-11X9	Gr.1	M14	11x9	30	19	19	17	7
H7131.6049	M8-6X4.9	Gr.2	M8	6x4.9	48	30	31	30	11
H7131.7055	M10-7X5.5	Gr.2	M10	7x5.5	48	30	31	30	11
H7131.9070	M12-9X7	Gr.2	M12	9x7	48	30	31	30	11
H7131.1190	M14-11X9	Gr.2	M14	11x9	48	30	31	30	11
H7131.1290	M16-12X9	Gr.2	M16	12x9	48	30	31	30	11
H7131.1411	M18-14X11	Gr.2	M18	14x11	48	30	31	30	11
H7131.1612	M20-16X12	Gr.2	M20	16x12	48	30	31	30	11
H7148.1190	M14-11X9	Gr.3	M14	11x9	70	48	48	44	14
H7148.1290	M16-12X9	Gr.3	M16	12x9	70	48	48	44	14
H7148.1411	M18-14X11	Gr.3	M18	14x11	70	48	48	44	14
H7148.1612	M20-16X12	Gr.3	M20	16x12	70	48	48	44	14

**Tapping Collets Without Clutch / 不带保护装置快换攻丝夹头**



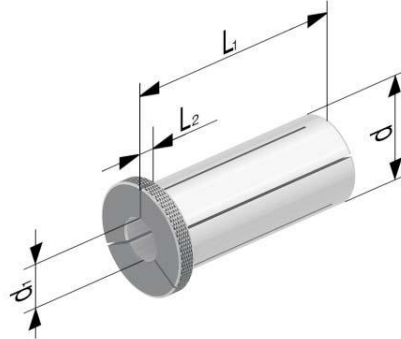
Order No. 货号	Size 规格		DIN376		D	D1	D2	L1	L5
H7148.1814	M22-18X14.5	Gr.3	M22	18x14.5	70	48	48	44	14
H7148.1814	M24-18X14.5	Gr.3	M24	18x14.5	70	48	48	44	14
H7148.2016	M27-20X16	Gr.3	M27	20x16	70	48	48	44	14
H7148.2218	M30-22X18	Gr.3	M30	22x18	70	48	48	44	14
H7148.2520	M33-25X20	Gr.3	M33	25x20	70	48	48	44	14
H7160.1814	M22-18X14.5	Gr.4	M22	18x14.5	96	60	60	71	42
H7160.1814	M24-18X14.5	Gr.4	M24	18x14.5	96	60	60	71	42
H7160.2016	M27-20X16	Gr.4	M27	20x16	96	60	60	71	42
H7160.2218	M30-22X18	Gr.4	M30	22x18	96	60	60	71	42
H7160.2520	M33-25X20	Gr.4	M33	25x20	96	60	60	71	42
H7160.2822	M36-28X22	Gr.4	M36	28x22	96	60	60	71	42
H7160.3224	M42-32X24	Gr.4	M42	32x24	96	60	60	71	42
H7160.3629	M48-36X29	Gr.4	M48	36x29	96	60	60	71	42

Reduction Sleeves With Waterproof Ring / 液压减径套(中心通水)



Order No. 货号	Size 规格	D	D1	L1	L2
H3012.4003	R12-HR03	12	3	44.5	2
H3012.4004	R12-HR04	12	4	44.5	2
H3012.4005	R12-HR05	12	5	44.5	2
H3012.4006	R12-HR06	12	6	44.5	2
H3012.4008	R12-HR08	12	8	44.5	2
H3020.4003	R20-HR03	20	3	50.9	2
H3020.4004	R20-HR04	20	4	50.9	2
H3020.4005	R20-HR05	20	5	50.9	2
H3020.4006	R20-HR06	20	6	50.9	2
H3020.4008	R20-HR08	20	8	50.9	2
H3020.4010	R20-HR10	20	10	50.9	2
H3020.4012	R20-HR12	20	12	50.9	2
H3020.4014	R20-HR14	20	14	50.9	2
H3020.4016	R20-HR16	20	16	50.9	2
H3022.4006	R22-HR06	22	6	50.9	2
H3022.4008	R22-HR08	22	8	50.9	2
H3022.4010	R22-HR10	22	10	50.9	2
H3022.4012	R22-HR12	22	12	50.9	2
H3022.4014	R22-HR14	22	14	50.9	2
H3022.4016	R22-HR16	22	16	50.9	2
H3022.4018	R22-HR18	22	18	50.9	2
H3025.4006	R25-HR06	25	6	60	4
H3025.4008	R25-HR08	25	8	60	4
H3025.4010	R25-HR10	25	10	60	4
H3025.4012	R25-HR12	25	12	60	4
H3025.4014	R25-HR14	25	14	60	4
H3025.4016	R25-HR16	25	16	60	4
H3025.4018	R25-HR18	25	18	60	4

**Reduction Sleeves With Waterproof Ring / 液压减径套 (中心通水)**



Order No. 货号	Size 规格	D	D1	L1	L2
H3025.4020	R25-HR20	25	20	60	4
H3032.4006	R32-HR06	32	6	62	4
H3032.4008	R32-HR08	32	8	62	4
H3032.4010	R32-HR10	32	10	62	4
H3032.4012	R32-HR12	32	12	62	4
H3032.4014	R32-HR14	32	14	62	4
H3032.4016	R32-HR16	32	16	62	4
H3032.4018	R32-HR18	32	18	62	4
H3032.4020	R32-HR20	32	20	62	4
H3032.4025	R32-HR25	32	25	62	4